

# TECHNICAL SOLUTIONS

Made in Germany



//Photo: Gerrit Timmers / Rotterdam, Netherlands / TRUMPF 95 track system





# CONTENTS

[TECHNICAL SOLUTIONS].....	5
INTRO .....	6
[TRACK SYSTEMS].....	9
ACE .....	10
TRUMPF.....	14
TRUMPF 95.....	20
STUDIO / E .....	26
JOKER 95.....	32
KING .....	38
BELT-TRACK.....	44
CHAINBEAM .....	48
CUE-TRACK 2.....	54
JACK-TRACK.....	60
CARGO MICRO.....	64
CARGO .....	68
ELEGANCE .....	76
MOTOR AND CONTROL SYSTEMS .....	82
[SCISSOR TRACK SYSTEM FENCE] .....	88
[FESTOON SYSTEM STRATUS] .....	94
[CURTAIN DROP SYSTEM KABUKI G2 LED].....	100
[BATTEN CLEW].....	106
[ROLLER SCREEN SYSTEMS CARBON].....	112
TUBE.....	114
MEGASCREEN TOUR .....	120
MEGASCREEN .....	126
[ACOUSTIC SYSTEMS] .....	132
G-SORBER .....	132
[STAGE PLATFORMS, TRUSS SYSTEMS AND ACCESSORIES].....	140
[THE COMPANY] .....	142



//Photo: TRUMPF 95 track system with G3-Silence 2-Wheel Runner

# [TECHNICAL SOLUTIONS]

Technology in the theatre and event worlds is constantly evolving while simultaneously increasing the safety demands on equipment.

Gerriets combines innovative and creative solutions with decades of experience, reliability, and safety to develop brand new technologies and improving tried and true solutions to adapt to the imagination of today's designers and technicians.

In this catalog you will find these solutions and more: Track systems and technical systems that have been proven for years (TUBE and MEGASCREEN), completely new products (BELT-TRACK), innovative new uses of existing products (CARGO track as a flybar) and new additions to product lines that have prospered for decades (TRUMPF 95 and KABUKI). We hope this catalog will inspire you to take your next project to new heights of wonder and amazement.

Gerriets Technical Solutions – innovative solutions, guaranteed safety, proven reliability!

# INTRO

## **The Gerriets Metal Workshop**

Gerriets' metal workshop features CNC milling and bending machines, welding and other metal fabrication facilities as well as a painting studio.

Our manufacturing specialists and metal fabricators work in close collaboration with our engineers and manufacturing department to custom-build track systems and modify all manner of other Gerriets products to meet the specific and ever-changing requirements of the theatre, event, exhibition and architecture sectors.







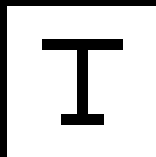




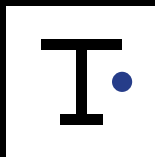
# [TRACK SYSTEMS]

Gerriets Track Systems - we have the right track for every application!

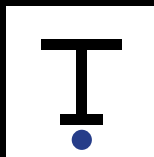
## Types of Cord Operation



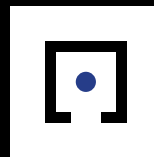
Walk-Along Track



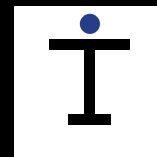
Side Cord Operation



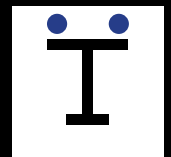
Bottom Cord Operation



Inboard Cord Operation



Top Cord Operation



Double Top Cord Operation

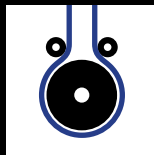
## Motors



Walk-Along



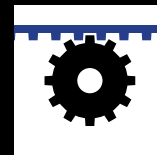
Manual Operation



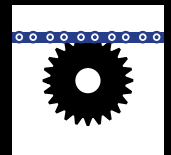
TRAC-DRIVE



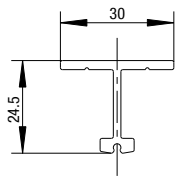
FRICTION-DRIVE



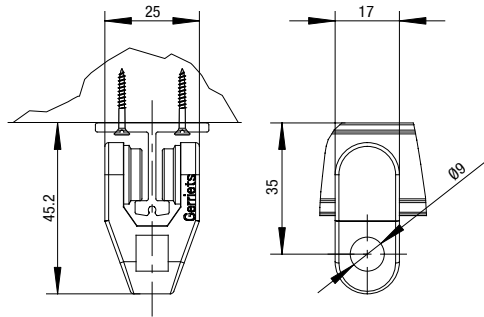
Tooth Belt



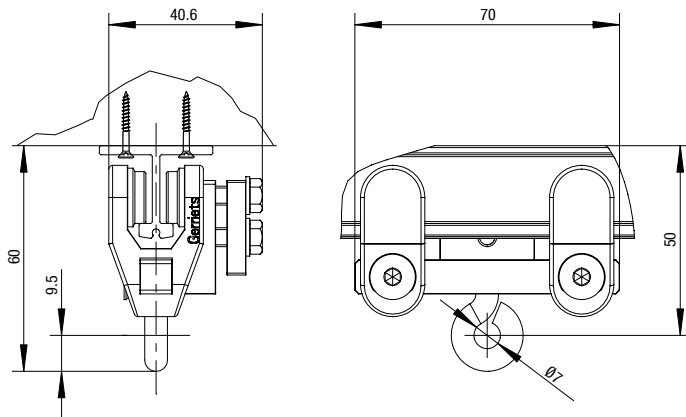
Chain Drive



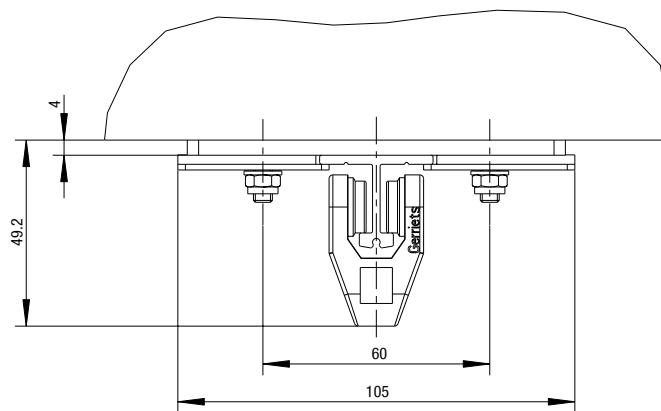
ACE



2-Wheel Runner = LW



Master Runner = ZW

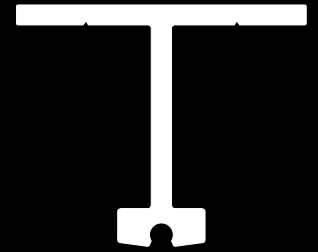


Ceiling Mounting Plate

All dimensions in mm

[TRACK SYSTEMS]

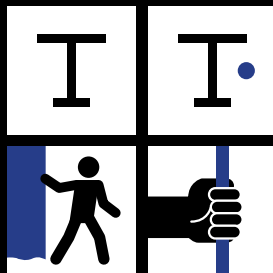
# ACE



## Light and Small!

ACE is a track system for lightweight curtains up to 4.00 m (13'1") high. It is solid track system recommended for permanent installations only.

The track system can be installed with the aid of ceiling mounting plates or by direct mounting of predrilled track.



### Technical Data

#### Track

Weight	340 g/m (3.6 oz/ft)
Length of Section	6.00 m (19'8")
Distance Between Hanging Points	1.00 m (3'3")
Min. Curve Radius	0.25 m (9.8")

#### Safe Working Load

Master Runner	4 kg (8.8 lbs)
2-Wheel Runner	2 kg (4.4 lbs)



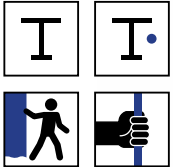
# [TRACK SYSTEMS]

## ACE: Walk-Along Track

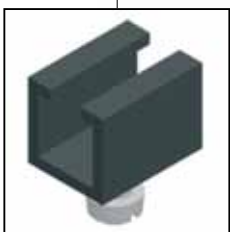
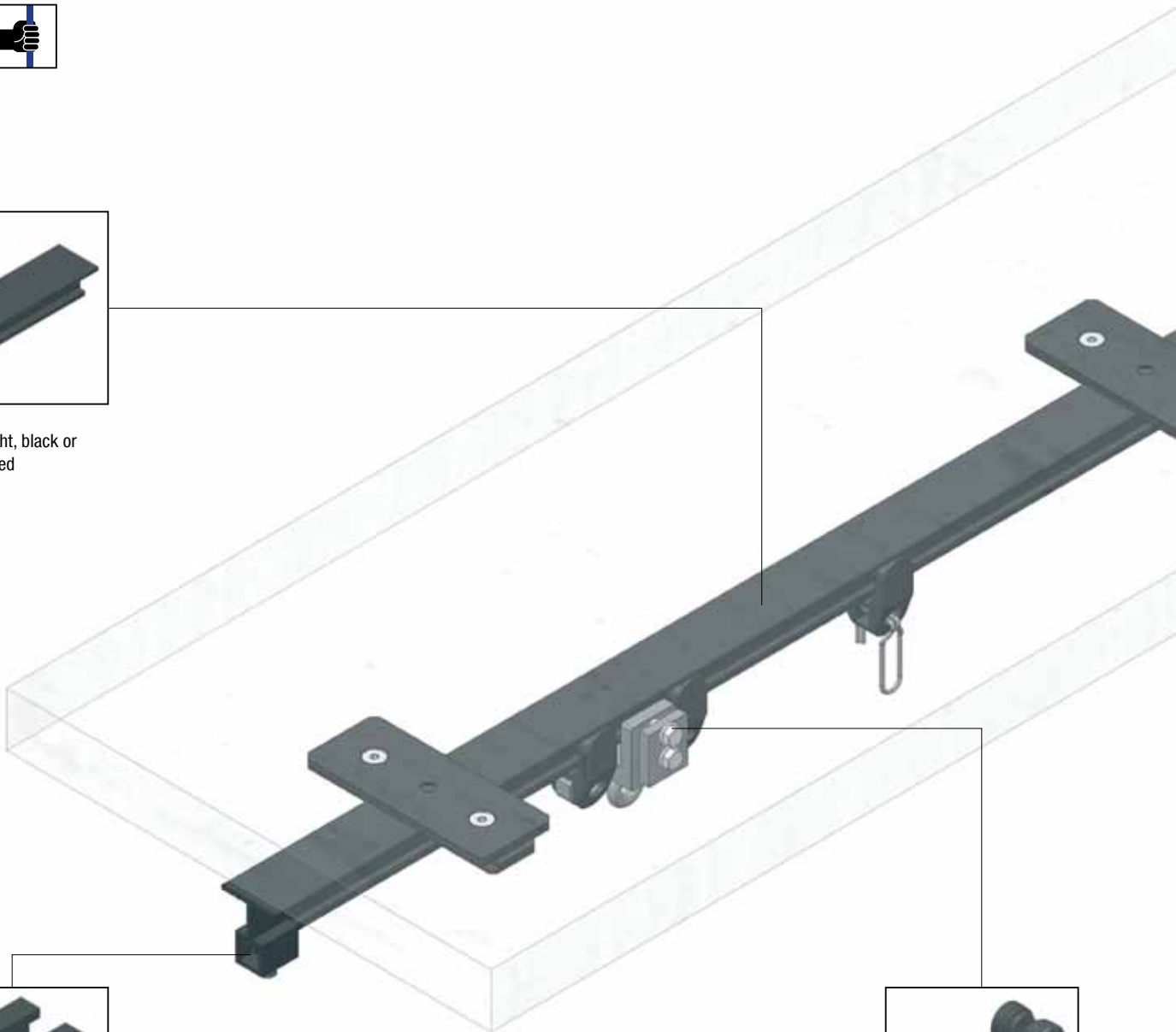
Walk-along track system without motor operation. Manually opening and closing. The basic system to open and close curtains or to move scenery along a track.



**3105 9115**  
Joint Pin (not shown)



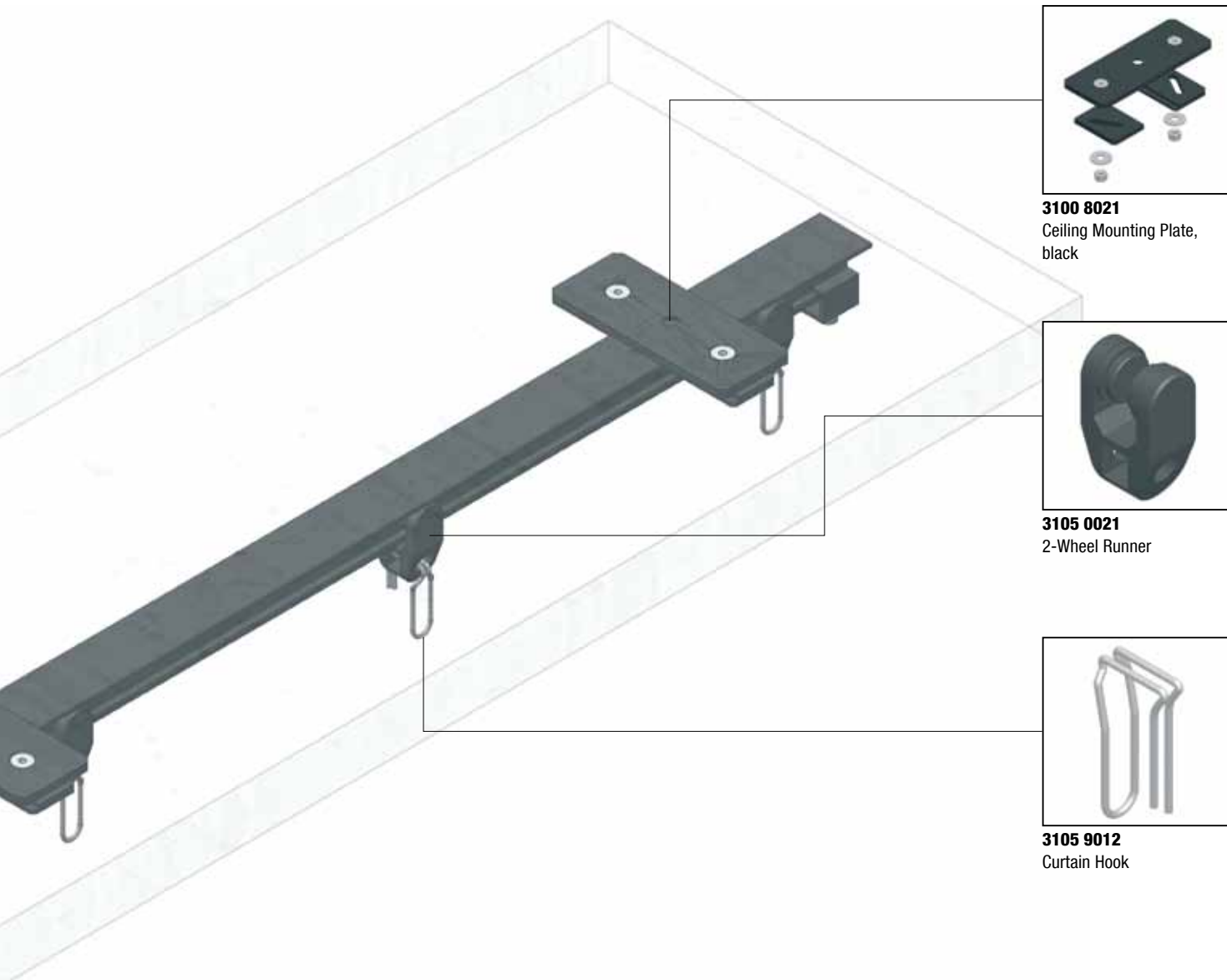
**3105 101-**  
Track, straight, black or clear anodized



**3105 0031**  
End Stop



**3105 0011**  
Master Runner



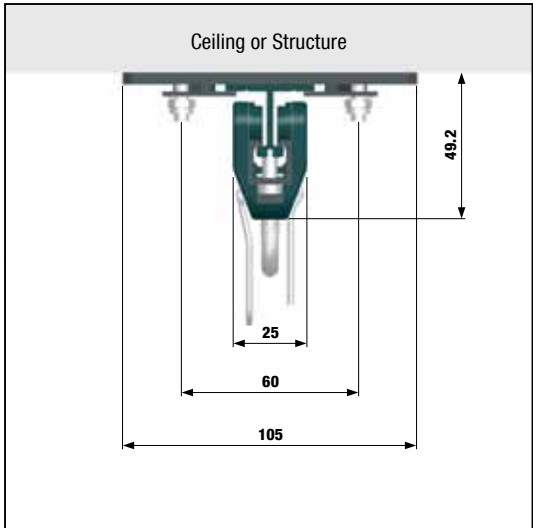
**3100 8021**  
Ceiling Mounting Plate, black



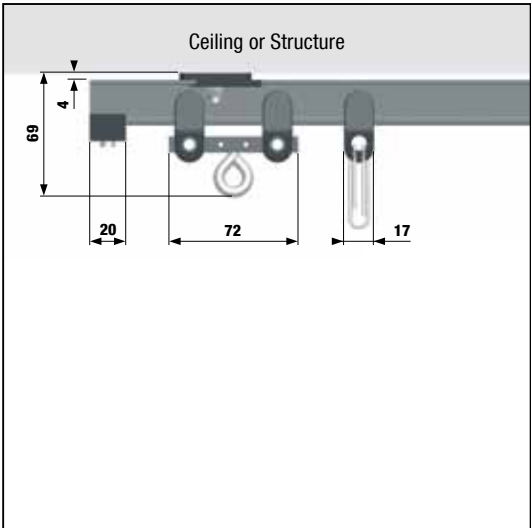
**3105 0021**  
2-Wheel Runner



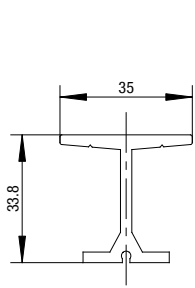
**3105 9012**  
Curtain Hook



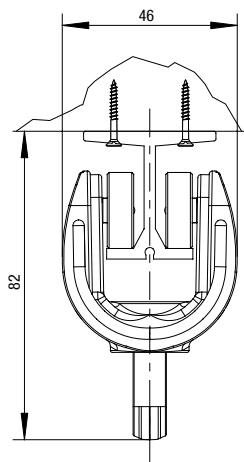
End View



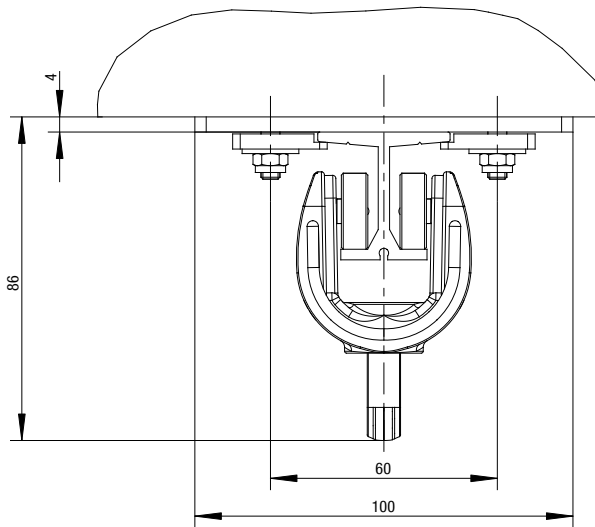
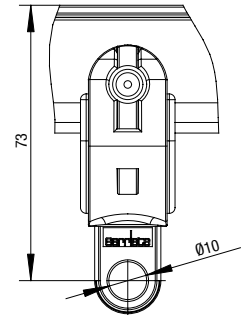
Side View



TRUMPF



2-Wheel Runner = LW

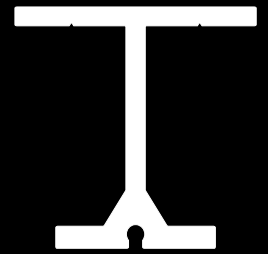


Ceiling Mounting Plate



[TRACK SYSTEMS]

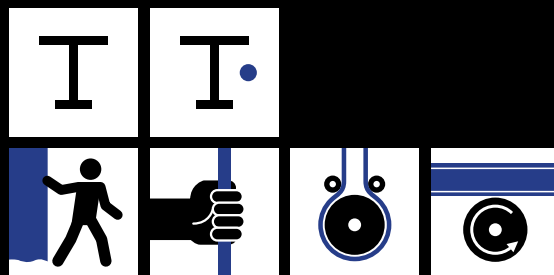
# TRUMPF



## Clean and Simple!

TRUMPF is a curtain track for medium duty applications such as curtains and lightweight scenery.

Curved track layouts are easily manufactured. TRUMPF shares many components, including runners with the TRUMPF 95 and STUDIO / E systems.



### Technical Data

#### Track

Weight	660 g/m (7.0 oz/ft)
Length of Section	6.00 m (19'8")
Distance Between Hanging Points	2.00 m (6'7")
Min. Curve Radius	0.30 m (11.8")

#### Safe Working Load

Master Runner	20 kg (44 lbs)
2-Wheel Runner	10 kg (22 lbs)
4-Wheel Runner	20 kg (44 lbs)

[TRACK SYSTEMS]

**TRUMPF: Side Cord Operation**

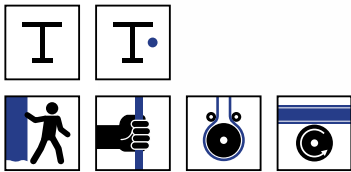
The side cord operation is the only possible cord operation for TRUMPF track system.

Please note with regard to side cord operation:

- Only for straight, single track configurations up to 12 m (40').
- Overlap arms allow a center overlap up to 36 cm (14").



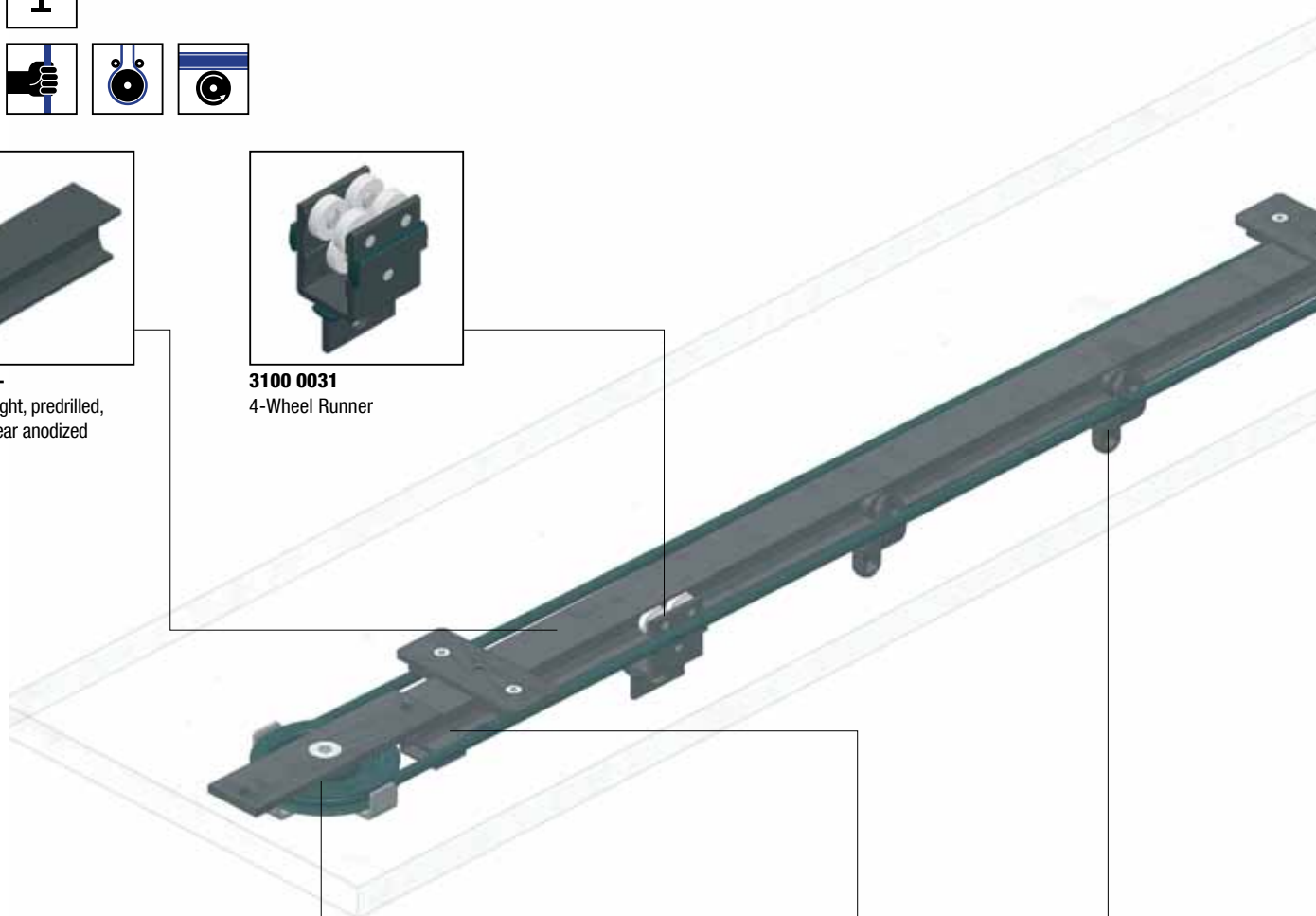
**3100 9115**  
Joint Pin (not shown)



**3110 101-**  
Track, straight, predrilled,  
black or clear anodized



**3100 0031**  
4-Wheel Runner



**3110 0151**  
Rope Guide Pulley



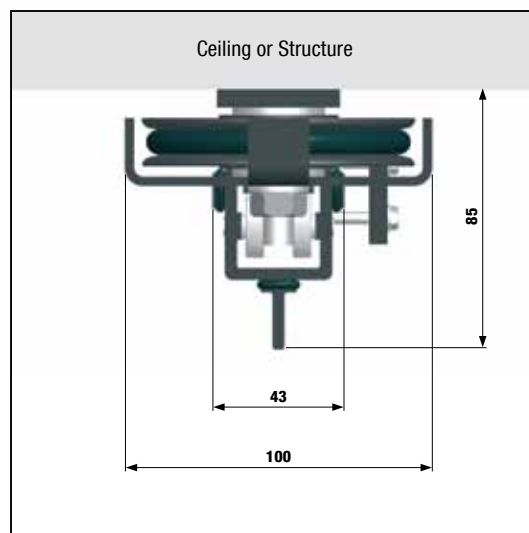
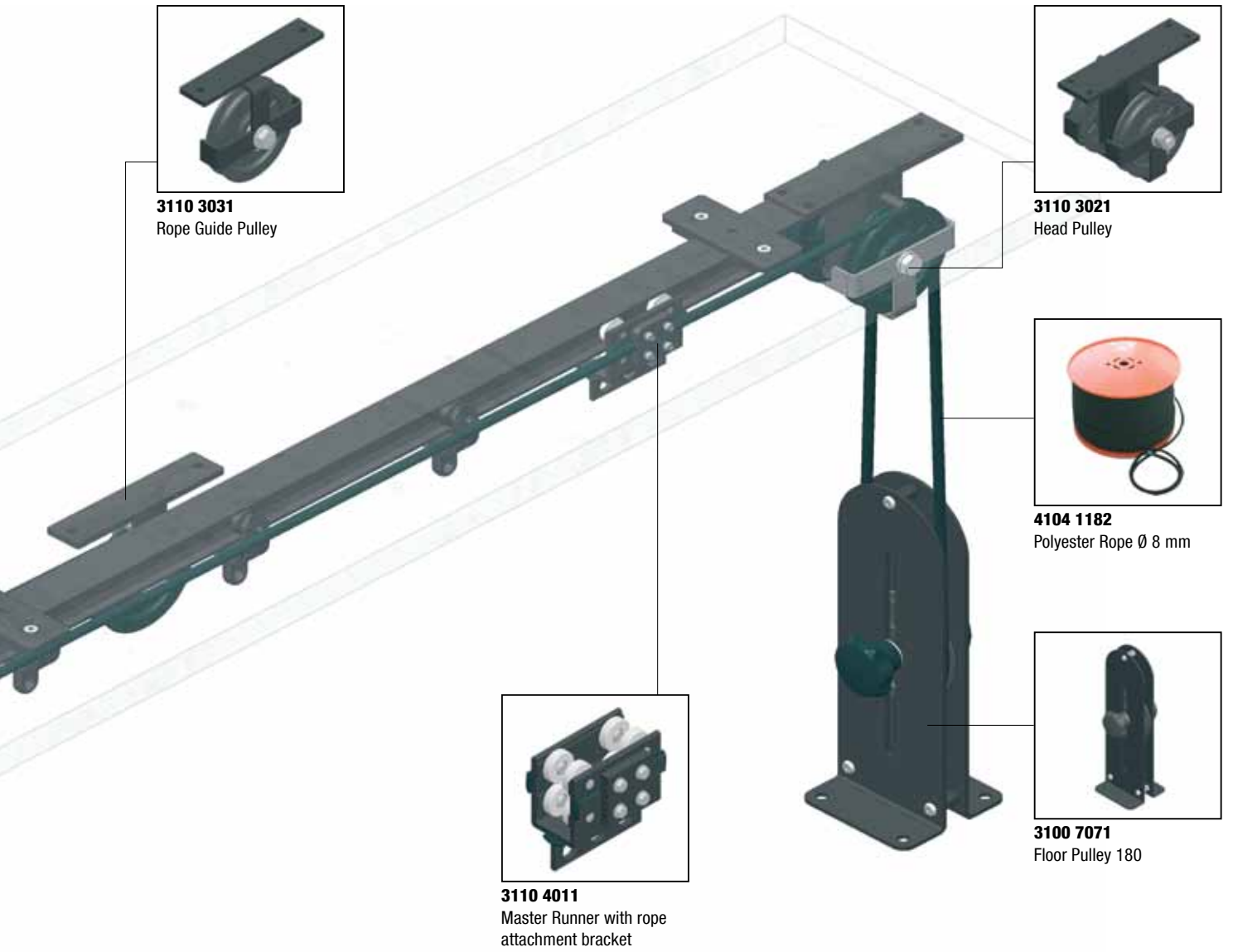
**3100 0121**  
Single Return Pulley



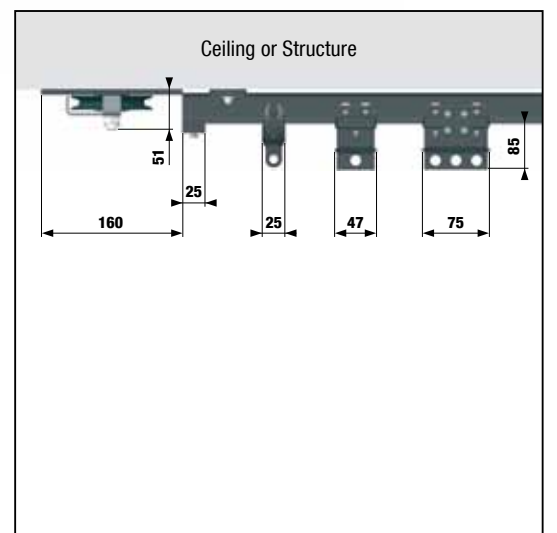
**3110 0061**  
End Stop



**3100 0025**  
2-Wheel Runner, black



End View



Side View



# Münster University of Applied Sciences

## Description

- Visual and acoustic separation of a seminar room in the academic library for architecture, arts and design.
- Manufacture and installation of a 5-layer Sound Curtain OFFICE with wave optic.
- Outer layer made from SATIN CS; printed and custom designed to client requirements.
- Installed on oval curved TRUMPF walk along track.

## General contractor

W. Averbeck GmbH

## Architect

Planungsgemeinschaft Zauberscho(e)n und Bühler & Bühler Architekten

## Client

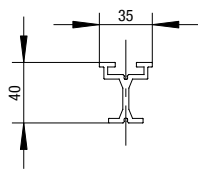
Münster University of Applied Sciences

## Location

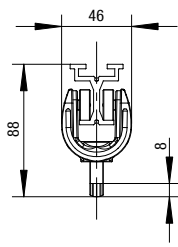
Münster / Germany



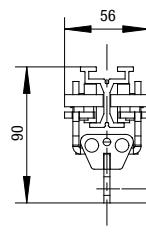
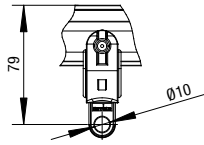




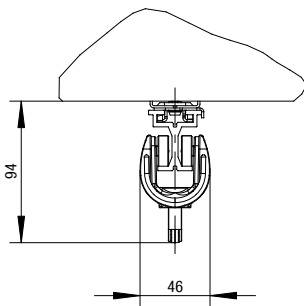
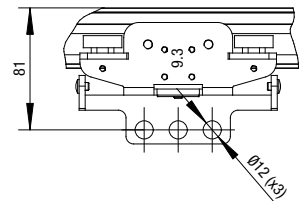
TRUMPF 95



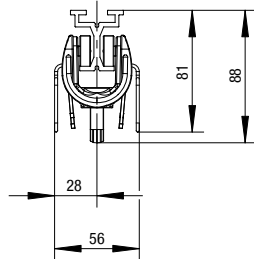
2-Wheel Runner (LW)



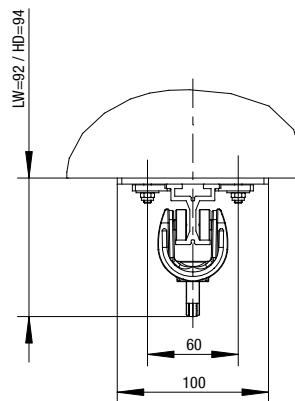
Heavy Duty (HD) Runner



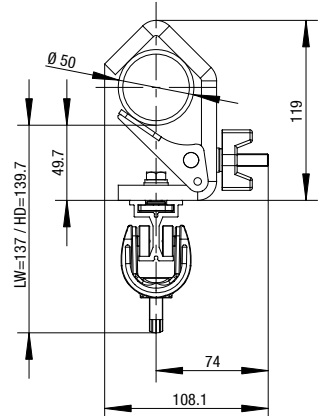
G-TWIST:  
Ceiling Mounting Plate



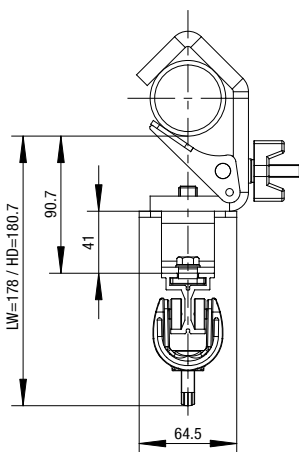
2-Wheel Runner +  
Curtain Hook



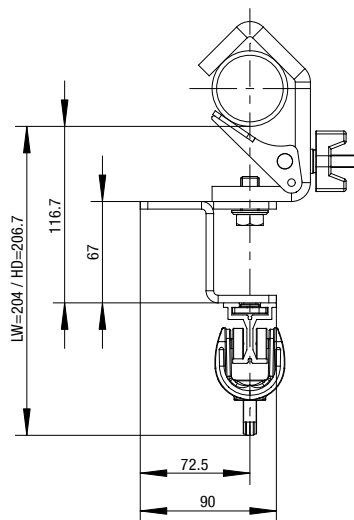
Ceiling Mounting Plate



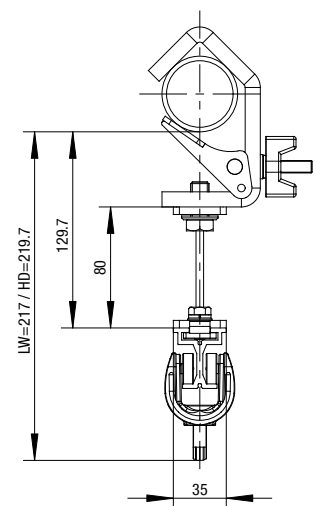
Direct Track Mounting



Side Cord Operation



Top Cord Operation



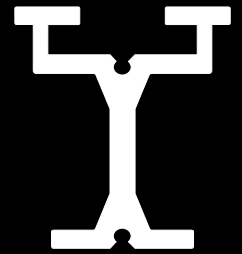
Double Top Cord Operation

All dimensions in mm



[TRACK SYSTEMS]

# TRUMPF 95

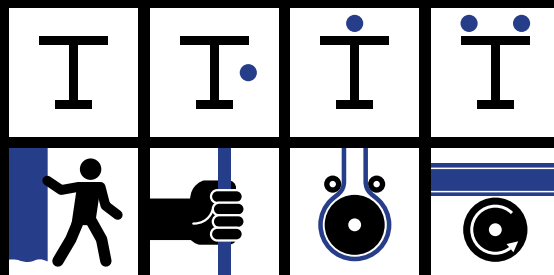


## Economical and Versatile!

TRUMPF 95 is a compact I-beam style track for medium-duty applications and backdrops.

The track system is multifunctional, reliable, light and quiet.

TRUMPF 95 has a groove channel for a wide range of fastening solutions. The system is used on stage, in TV studios and in architectural installations, as well as for complex track systems with curves and switch points.



### Technical Data

#### Track

Weight	900 g/m (9.6 oz/ft)
Length of Section	6.00 m (19'8")
Distance Between Hanging Points	2.00 m (6'7")
Min. Curve Radius	0.50 m (19.6")

#### Safe Working Load

Master Runner	35 kg (77 lbs)
2-Wheel Runner	10 kg (22 lbs)
4-Wheel Runner	20 kg (44 lbs)

[TRACK SYSTEMS]

# TRUMPF 95: Top Cord Operation

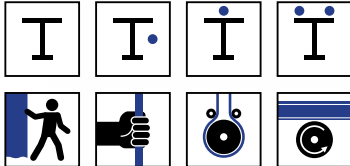
For use on straight and curved track systems of any length. Rope moves along the top side of the track. No cord sag.



**3115 0091**  
Camlock Nut (not shown)



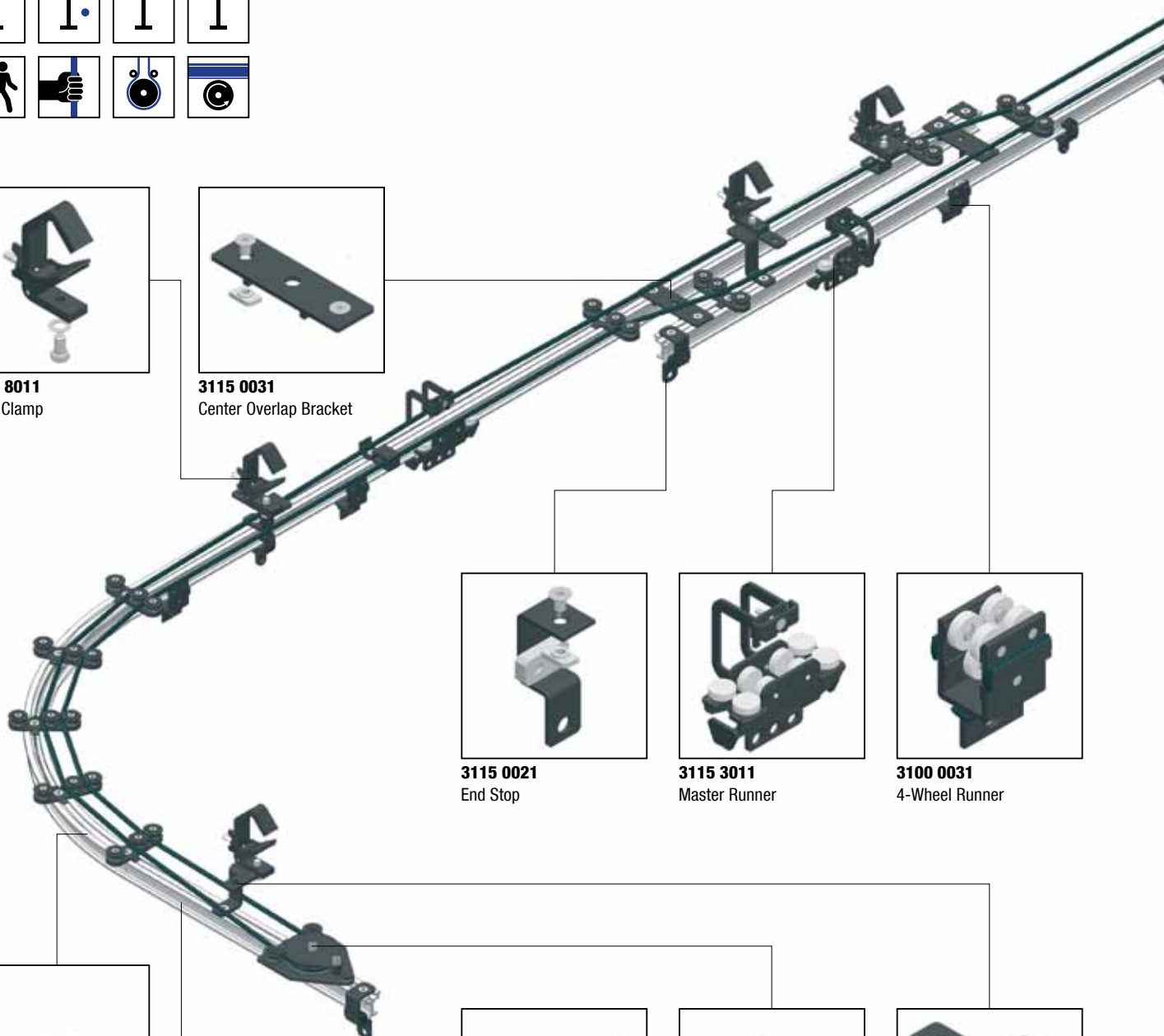
**3115 0011**  
Track Splice (not shown)



**3100 8011**  
Hook Clamp



**3115 0031**  
Center Overlap Bracket



**3115 0021**  
End Stop



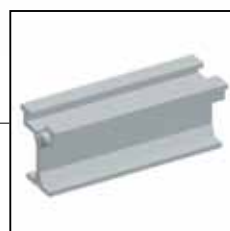
**3115 3011**  
Master Runner



**3100 0031**  
4-Wheel Runner



**3115 103-**  
Track, curved, without splice, black or clear anodized



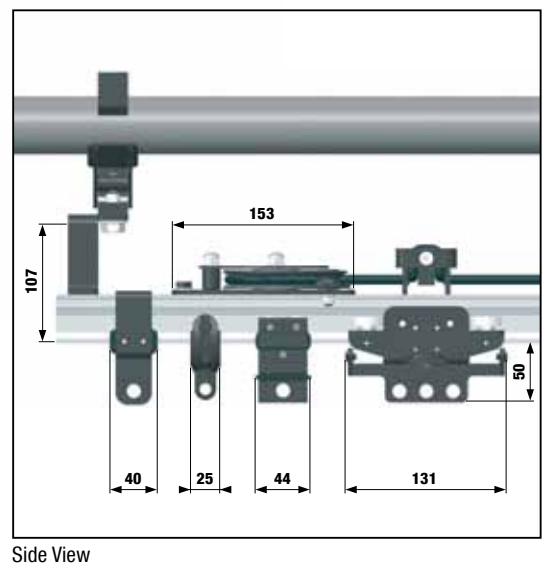
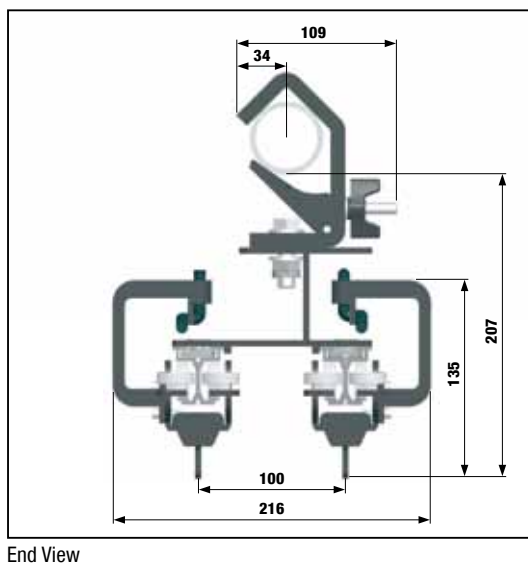
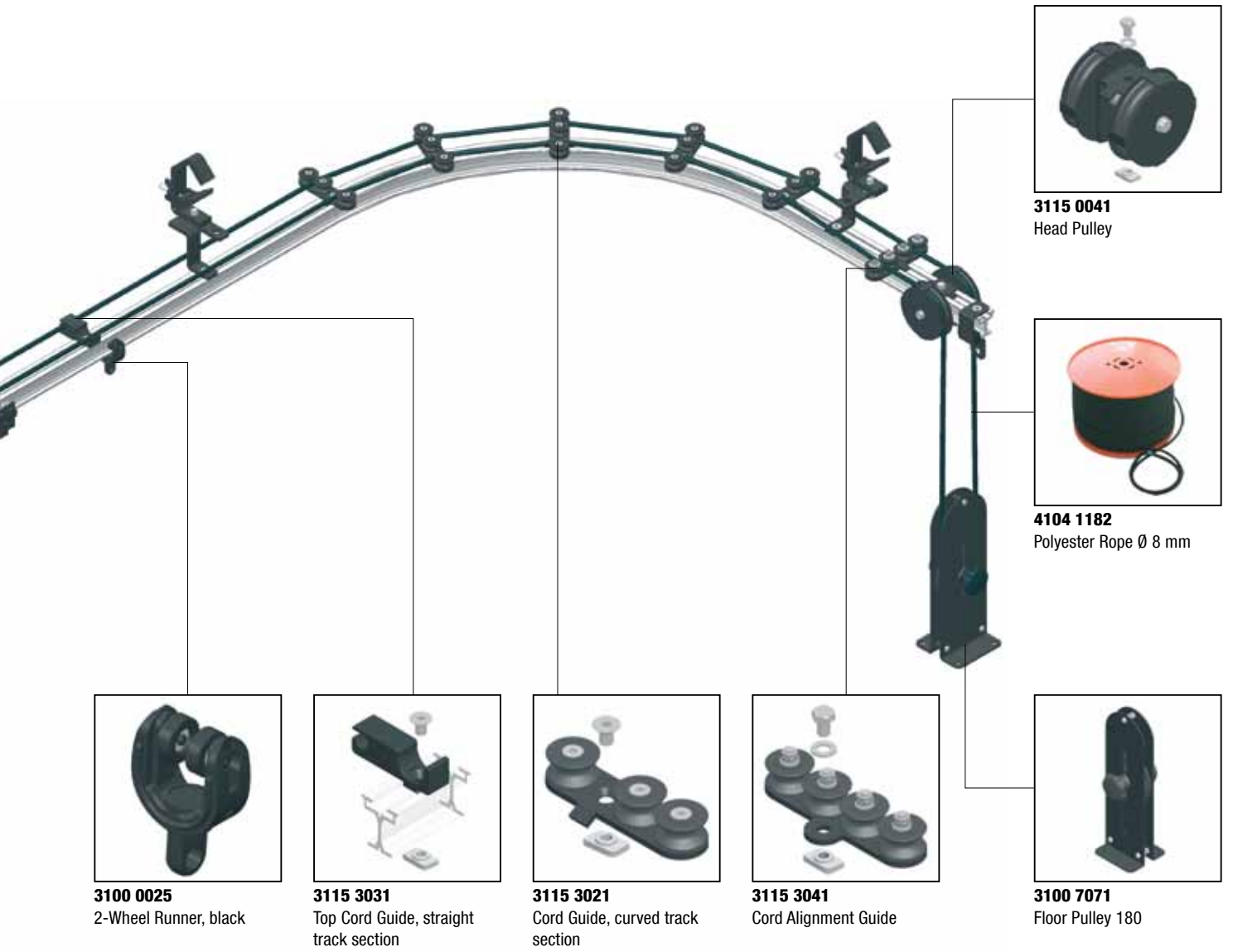
**3115 101-**  
Track, straight, black or clear anodized



**3115 0051**  
Return Pulley



**3115 8031**  
Top Cord Track Suspension Bracket



## Architekturbüro Schmelzle & Partner

### Description

- Visual and acoustic separation of conference room.
- Manufacture and installation of two 3-layer Sound Curtains OFFICE systems with wave optic.
- Outer layer made from sound absorbent wool textile WOOLSERGE OFFICE in grey.
- Installed on curved TRUMPF 95 track system with FRICTION-DRIVE; connected with the existing building controlle system.

### Client

Architekturbüro Schmelzle & Partner mbB

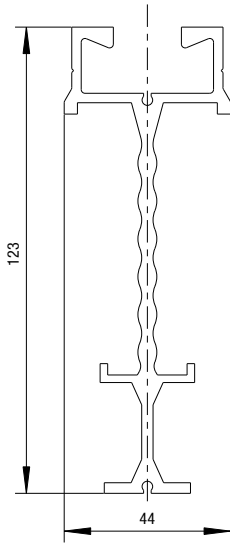
### Location

Hallwangen / Germany

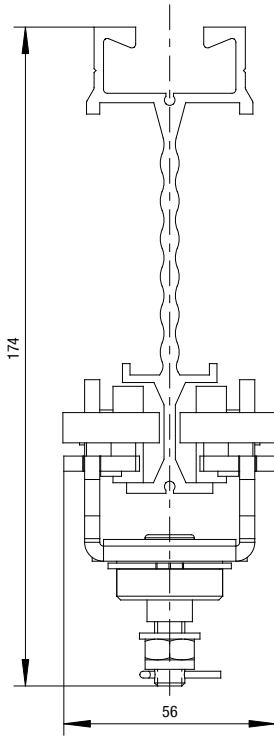




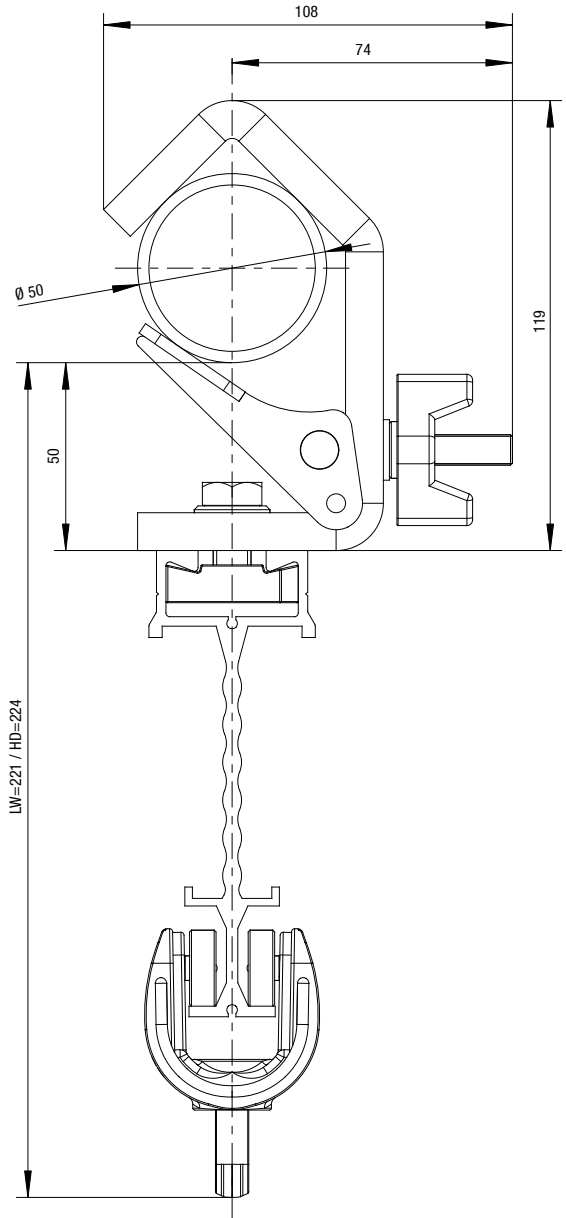




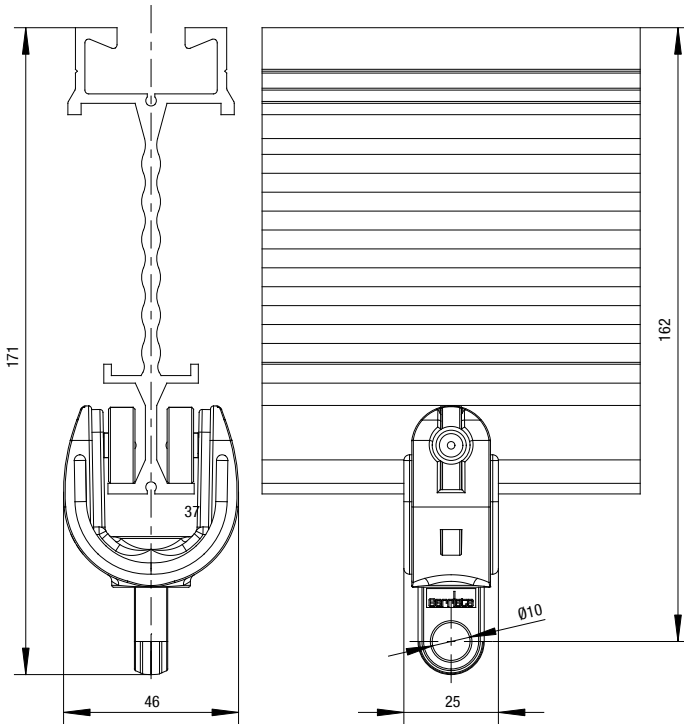
**STUDIO**



**Master Runner 4+4 = HD**



**Tube Mounting**



**2-Wheel Runner = LW**

All dimensions in mm

[TRACK SYSTEMS]

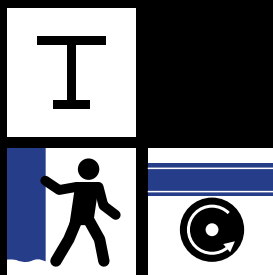
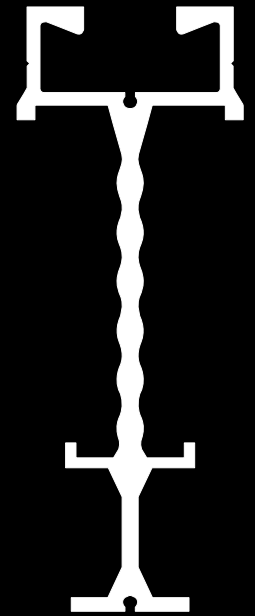
## STUDIO / E

### Electrified and Rigid!

STUDIO / E is a curtain track suitable for medium to heavy applications and for moving scenery and light studio and AV equipment.

This system's curves and switching points make this track particularly suitable for studio applications. The track is also perfect for large hanging distances, which are possible due to its high profile.

By combining the STUDIO track with up to six conductor rails STUDIO becomes STUDIO E.



#### Technical Data

##### Track

Weight	2,200 g/m (1.4 lbs/ft)
Length of Section	6.00 m (19'8")
Distance Between Hanging Points	4.00 m (13'1")
Min. Curve Radius	2.00 m (6'7")

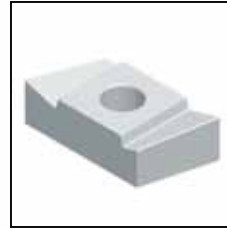
##### Safe Working Load

2-Wheel Runner	10 kg (22 lbs)
4-Wheel Runner	20 kg (44 lbs)

# [TRACK SYSTEMS]

## STUDIO E: FRICTION-DRIVE

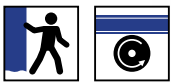
Curtain sections move without rope or pulleys. The motor moves silently along the track and receives its power from a trailing festoon cable or from integrated, track mounted conductor rails. Curtains/scenery are directly attached to motor and are "pushed" and "pulled" along track. This allows long, complex track configurations, including endless loops.



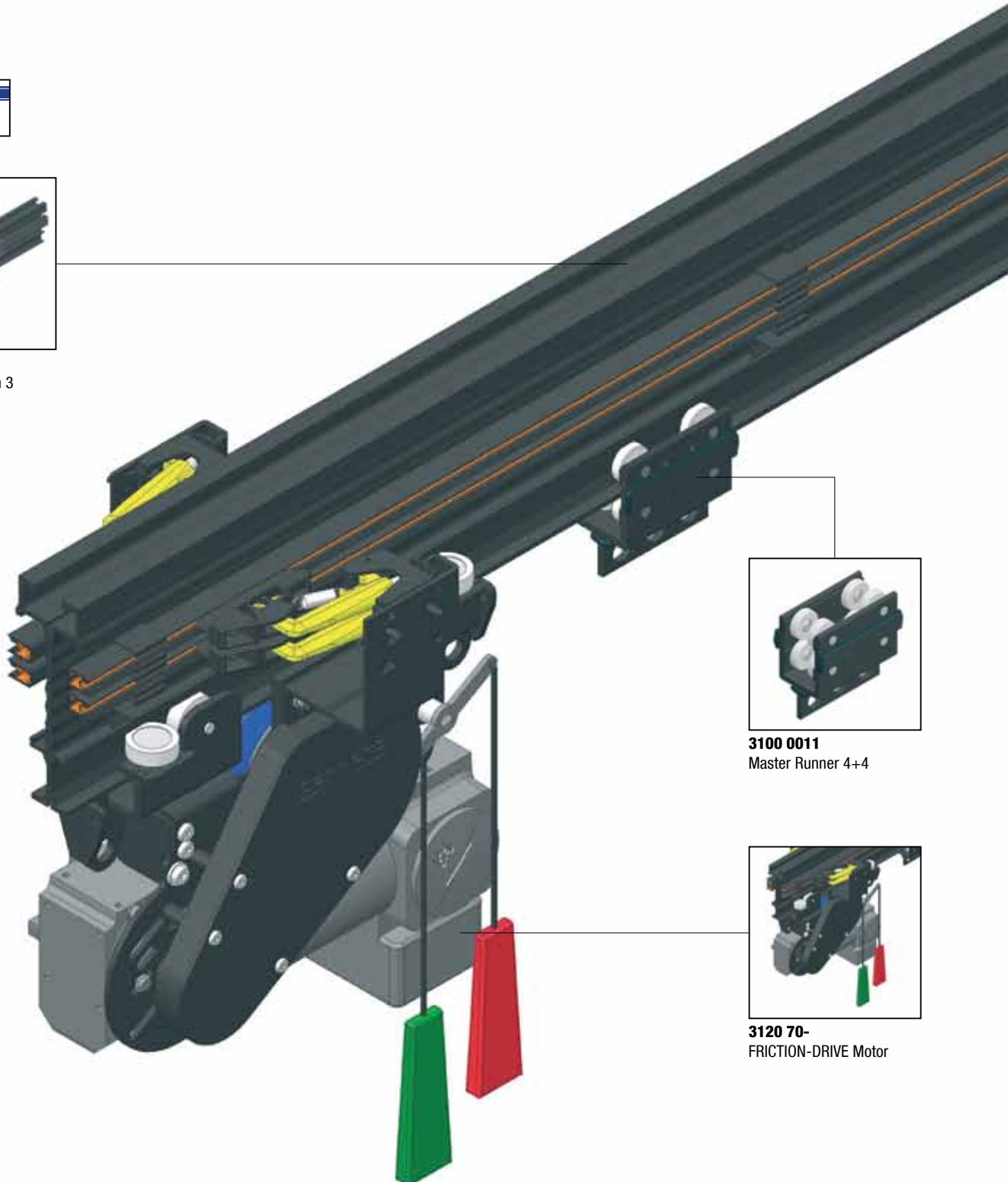
**3120 9011**  
Camlock Nut (not shown)



**3120 0011**  
Track Splice (not shown)



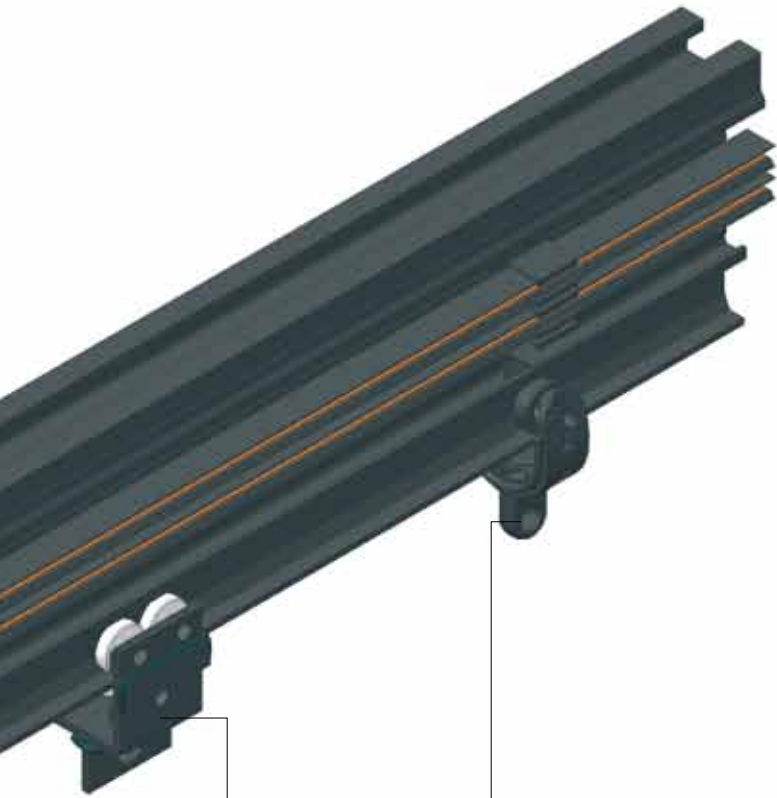
**3120 1311**  
Track, straight with 3  
conductor rails



**3100 0011**  
Master Runner 4+4



**3120 70-**  
FRICTION-DRIVE Motor



**3100 0031**  
4-Wheel Runner



**3100 0025**  
2-Wheel Runner, black



Mercedes-Benz Museum / Stuttgart  
STUDIO E track system  
//Photos: Gonzales



## **FHNW Brugg**

### **Description**

- Design curtain for the office of Ushi Tamboriello.
- Installed on a curved STUDIO E track system with 5 FRICTION-DRIVE motors.
- In case of fire, the curtains would automatically be pushed into a storage space, so as not to impede the smoke extraction.

### **Client**

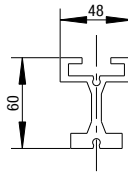
HRS Real Estate AG

### **Location**

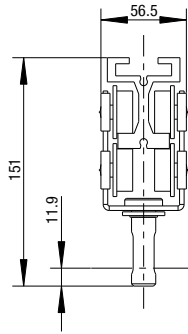
Brugg / Switzerland



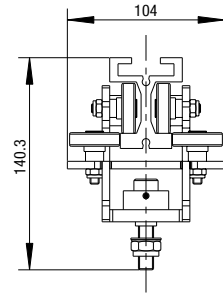




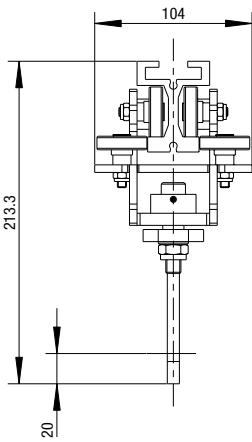
JOKER 95



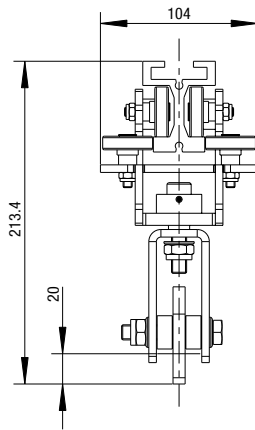
2-Wheel Runner = LW



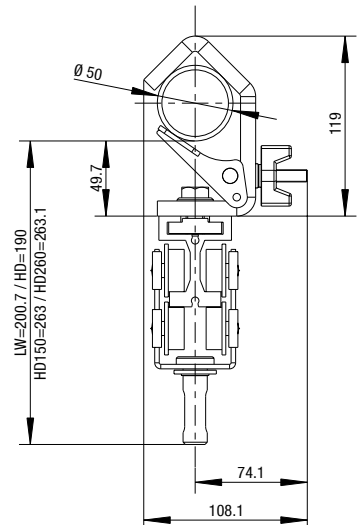
HD Carrier = HD



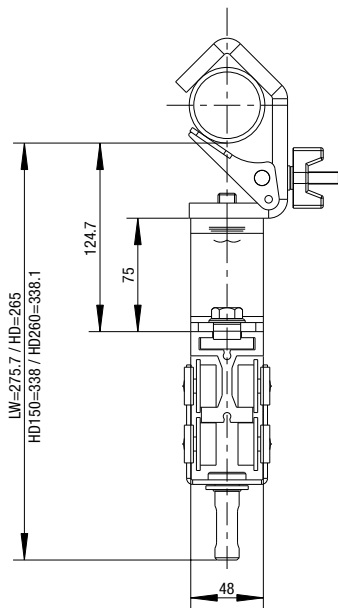
HD Carrier 150 = HD150



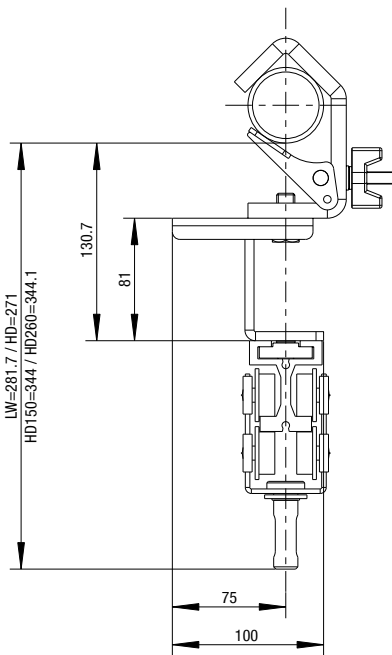
HD Carrier 260 = HD260



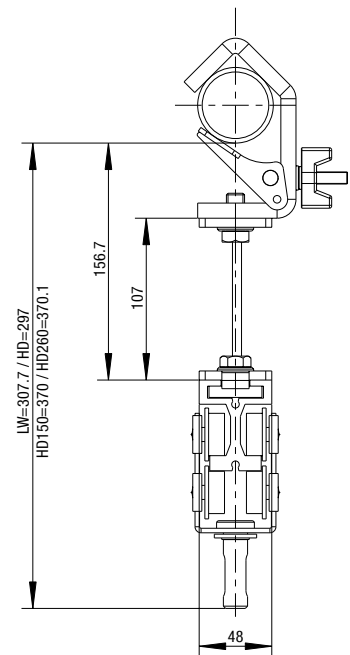
Direct Track Mounting



Side Cord Operation



Top Cord Operation

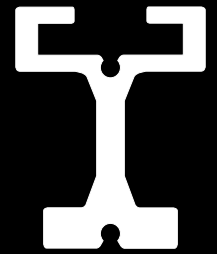


Double Top Cord Operation

All dimensions in mm

[TRACK SYSTEMS]

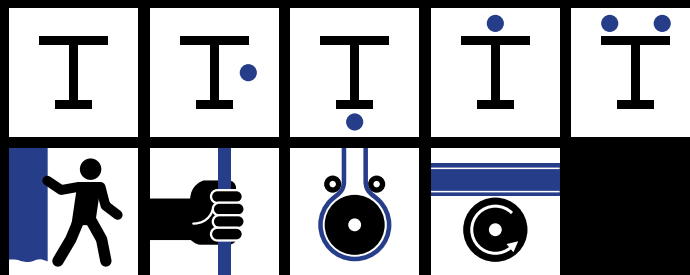
# JOKER 95



## Strength and Flexibility!

JOKER 95 is the larger version of TRUMPF 95, suitable for heavy curtains and scenic applications. It has a large, grooved channel on top to provide for a wide variety of accessories and mounting options.

JOKER 95 is load-bearing, reliable, quiet and has an extremely low rolling resistance. The system can be used with quick connectors for rapid assembly and disassembly for touring use.



### Technical Data

#### Track

Weight	2,520 g/m (1.6 lbs/ft)
Length of Section	6.00 m (19'8")
Distance Between Hanging Points	3.00 m (9'10")
Min. Curve Radius	2.00 m (6'7")

#### Safe Working Load

Master Runner	30 kg (66 lbs)
2-Wheel Runner	20 kg (44 lbs)
4-Wheel Runner	30 kg (66 lbs)



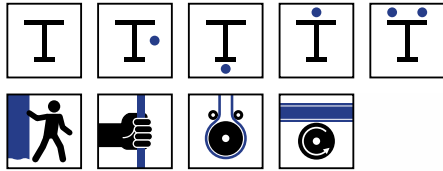
[TRACK SYSTEMS]

## JOKER 95: Double Top Cord Operation

A benefit of top cord operation is that two independently operated cord systems can be equipped to the same track. Two master runners operate independently on one track section. Curtain sections can be moved with different speeds and/or in different directions with one single track system. Allows the creation of asymmetrical opening configurations.

Several curtain opening options are available. A curtain section can be opened from right to left and vice versa as well as the curtain can move on the track in a flat or pleated style.

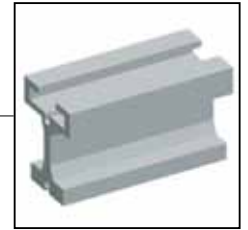
Double top cord operations are also available with two motors and offer all mentioned benefits of a top cord operation.



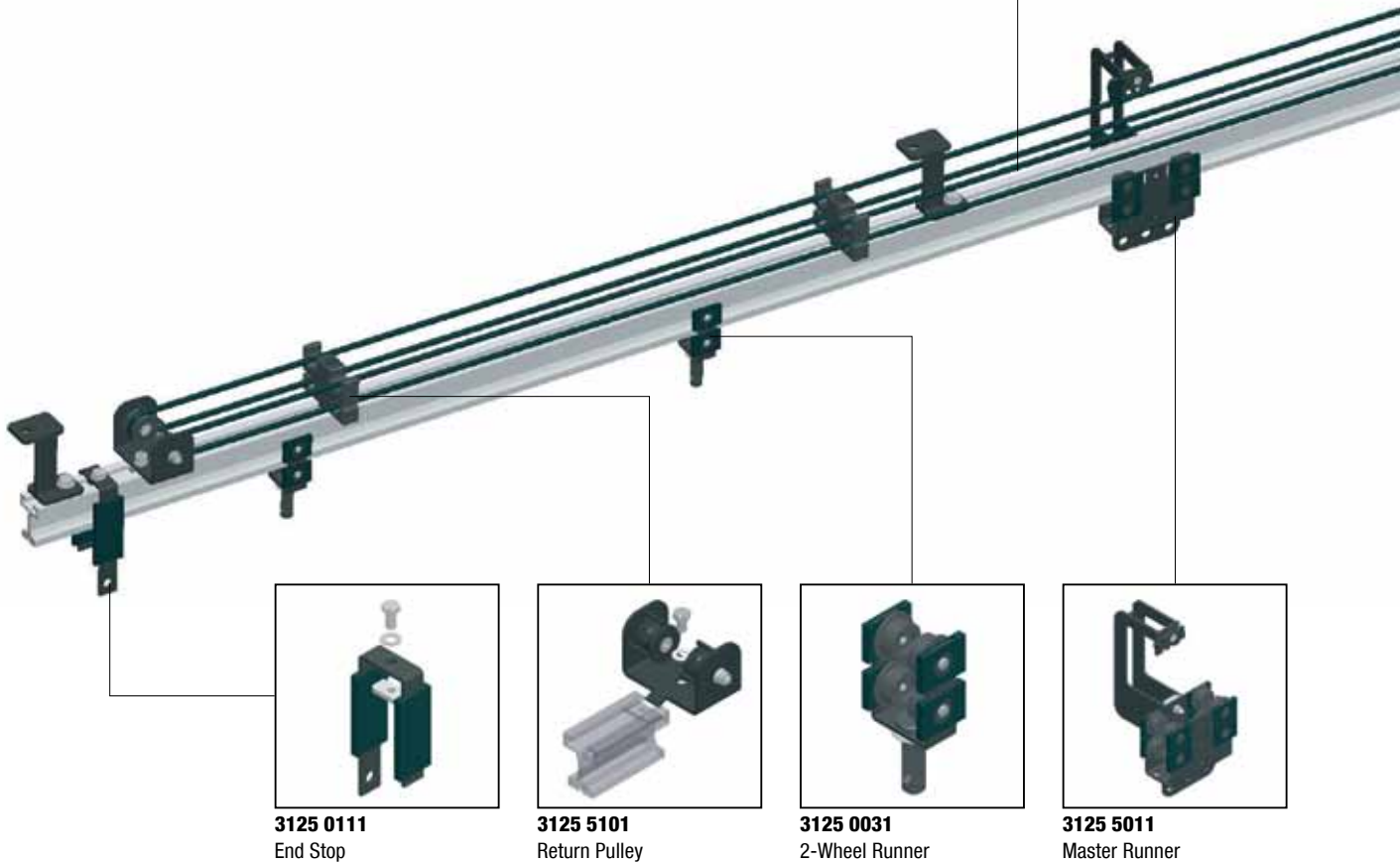
**3125 0141**  
Camlock Nut (not shown)



**3125 0011**  
Track Splice (not shown)



**3125 101-**  
Track, straight, black or clear anodized



**3125 0111**  
End Stop



**3125 5101**  
Return Pulley

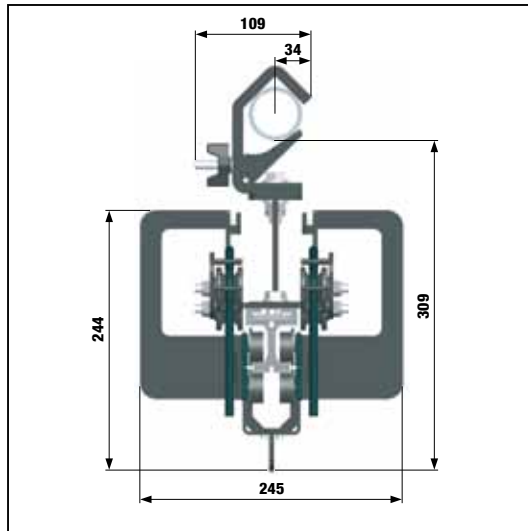


**3125 0031**  
2-Wheel Runner

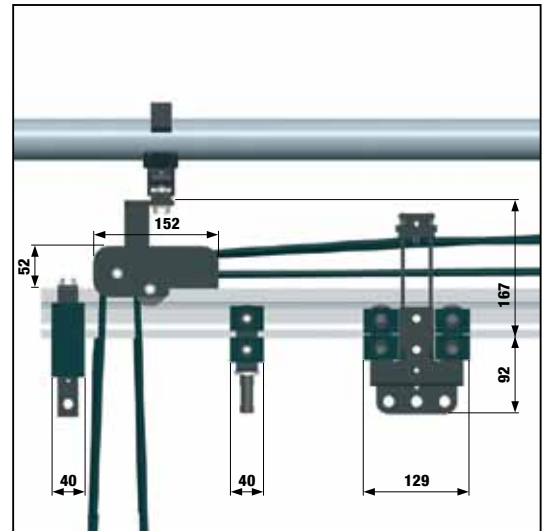


**3125 5011**  
Master Runner

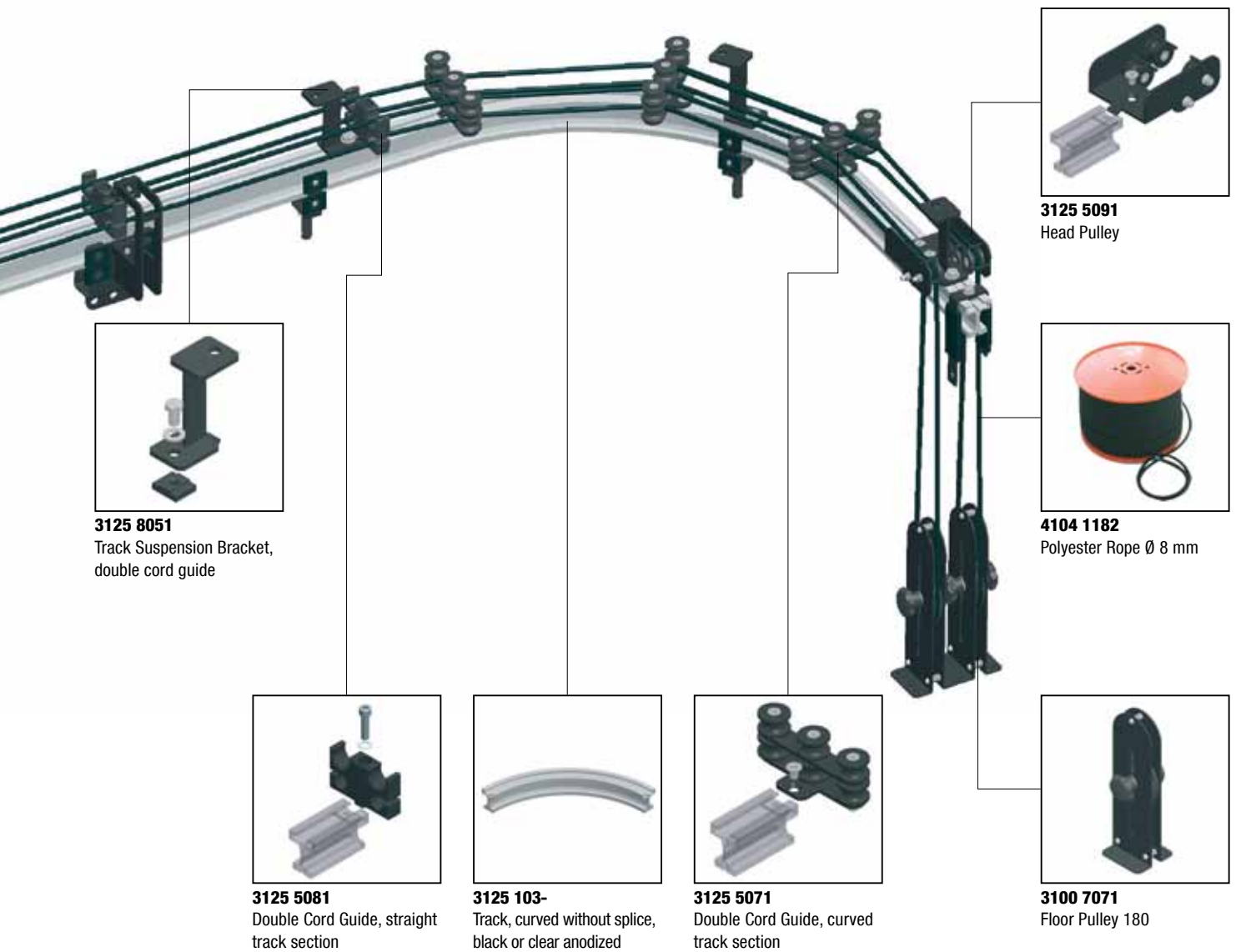




End View



Side View



**3125 8051**  
Track Suspension Bracket,  
double cord guide

**3125 5081**  
Double Cord Guide, straight  
track section

**3125 103-**  
Track, curved without splice,  
black or clear anodized

**3125 5071**  
Double Cord Guide, curved  
track section

**3100 7071**  
Floor Pulley 180

**3125 5091**  
Head Pulley

**4104 1182**  
Polyester Rope Ø 8 mm

## Perez Art Museum Miami (PAMM)

### Description

- Visual and acoustic separation of auditoriums and the museum lobby.
- Manufacture and installation of a complex layout of nine acoustic curtains with up to nine layers of fabric with an acoustic reduction of 18 dB.
- Outer layers of acoustic curtains made from a custom printed sheer chiffon.
- Installed on a combination of automated TRUMPF 95 and JOKER 95 motorized track systems, configured to seven different preset positions.

### Design Architect

Herzog & de Meuron, Stefan Hoerner

### Executive Architect

Handel Architects, Ryan Cole

### A/V consultant

HMBA, David Harvey

### Client

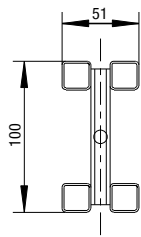
Miami Art Museum Foundation

### Location

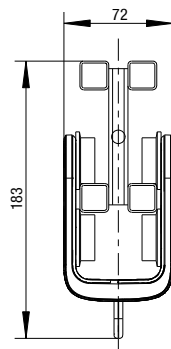
Miami, FL / USA



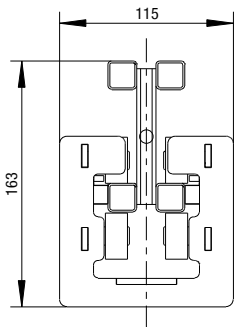




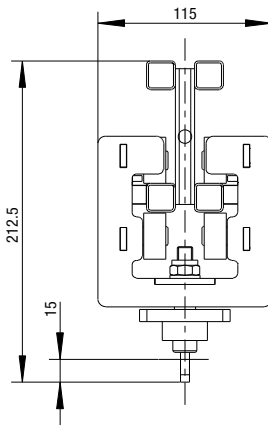
**KING**



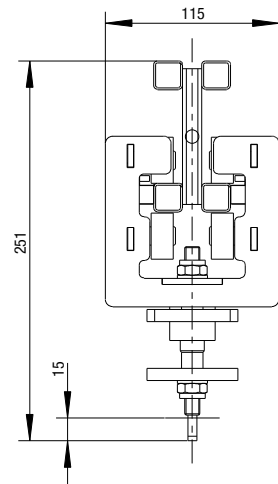
**2-Wheel Runner = LW**



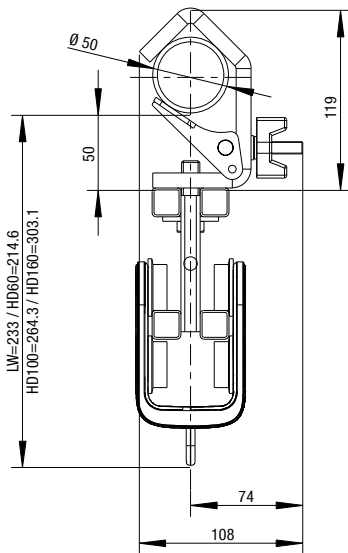
**HD Carrier 60 = HD60**



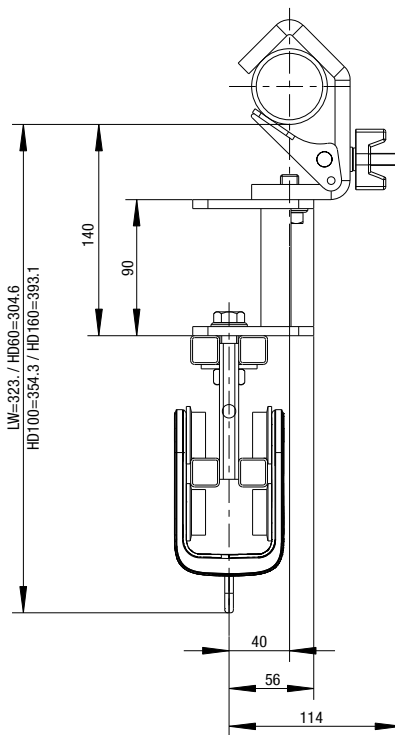
**HD Carrier 100 = HD100**



**HD Carrier 160 = HD160**



**Direct Track Mounting**

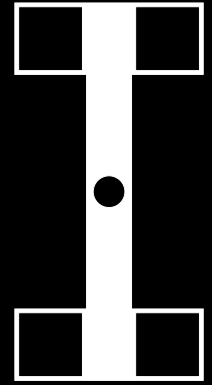


**Top Cord Operation**

All dimensions in mm

[TRACK SYSTEMS]

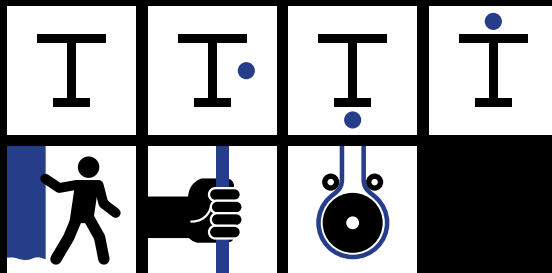
# KING



## Modular and Durable!

KING is a versatile track system, which is multifunctional and modular, perfect for touring. The system is primarily used for curtains, scenery and lighting systems.

KING was conceived from the beginning as a touring system, with compact dimensions as well as fast set-up and dismantling times. The track system has an open design, so parts are simply bolted to the track and accessories are easy to install.



Technical Data	
<b>Track</b>	
Weight	3,000 g/m (2.0 lbs/ft)
Length of Section	0.25 m (9.8") / 0.50 m (19.6") / 1.00 m (3'3") / 2.00 m (6'7")
Distance Between Hanging Points	3.00 m (9'10")
Min. Curve Radius	1.00 m (3'3")
<b>Safe Working Load</b>	
Master Runner	30 kg (66 lbs)
2-Wheel Runner	15 kg (33 lbs)
4-Wheel Runner	30 kg (66 lbs)



[TRACK SYSTEMS]

**KING: Bottom Cord Operation**

Bottom cord operation systems are suitable for straight track systems up to 12 m (40'), with or without a center overlap. For systems over 12 m (40'), a top cord system is recommended.

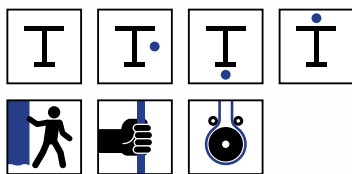
Bottom cord operation allows the use of rear fold operation. The curtain begins to stack in the off-stage position allowing the curtain to keep its intended look until fully open.



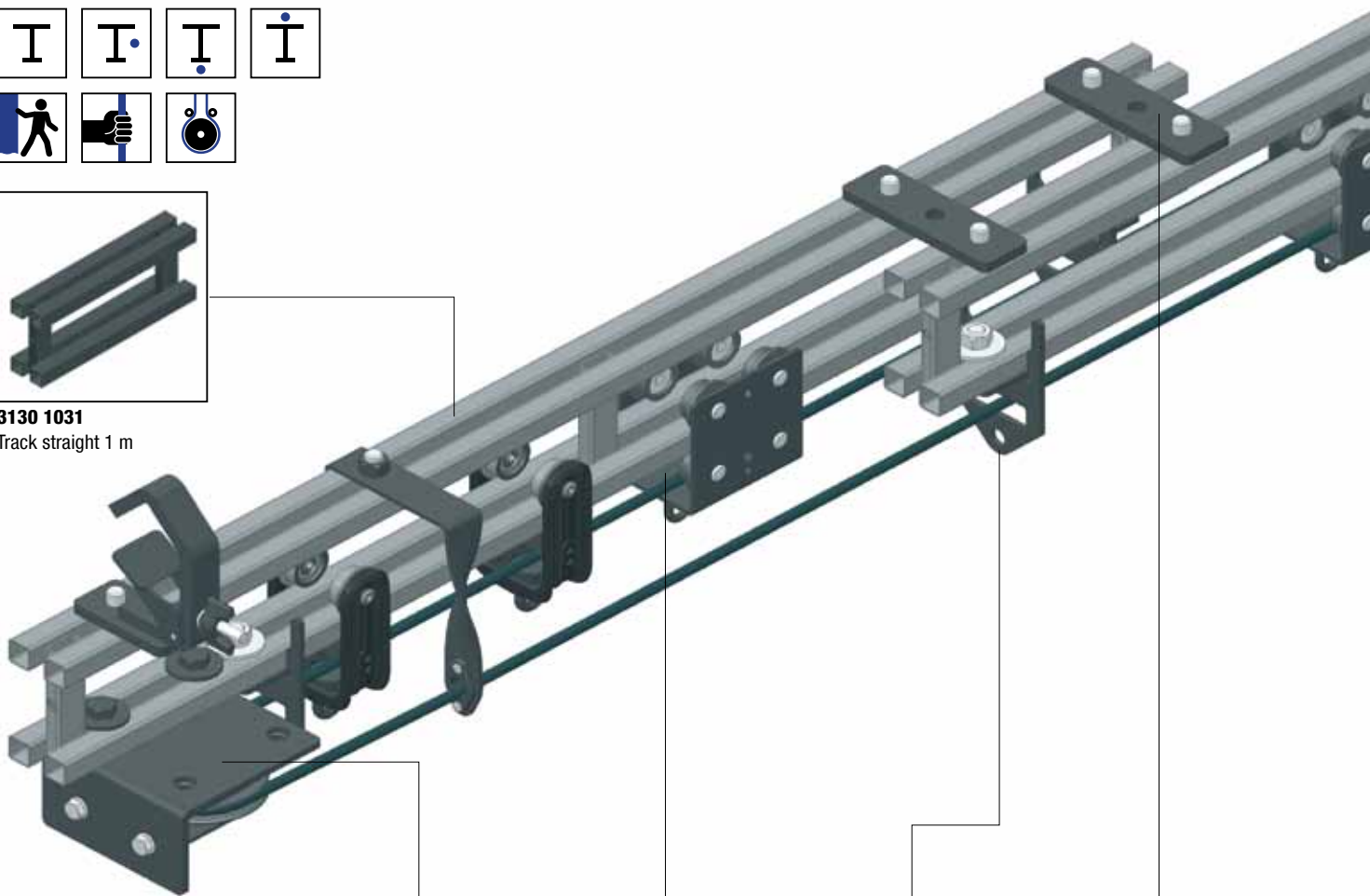
**3130 0081**  
2-Wheel Runner 2+2 in Plastic



**3130 0101**  
Track Splice Set (not shown)



**3130 1031**  
Track straight 1 m



**3130 2071**  
Rear-Fold Master Runner in Plastic



**3130 2321**  
Return Pulley



**3130 2011**  
Master Runner 4+4



**3130 0011**  
End Stop



**3130 0061**  
Center Overlap Bracket



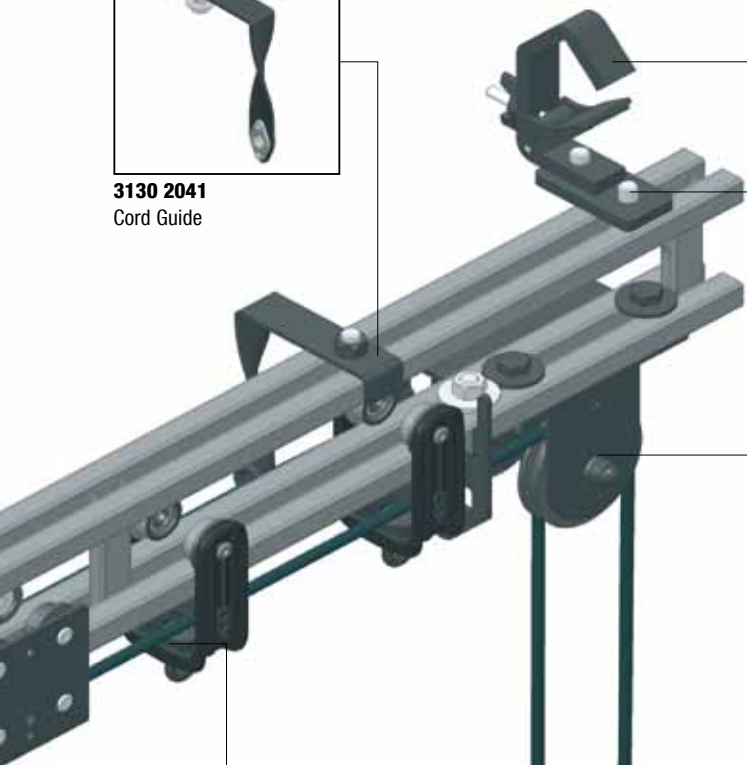
**3130 2041**  
Cord Guide



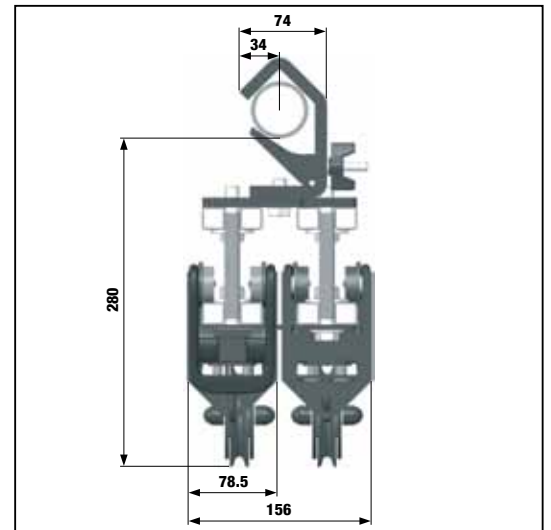
**3100 8011**  
Hook Clamp



**3130 0051**  
Ceiling/Surface Mounting  
Plate



**3130 0071**  
2-Wheel Runner in Plastic



End View



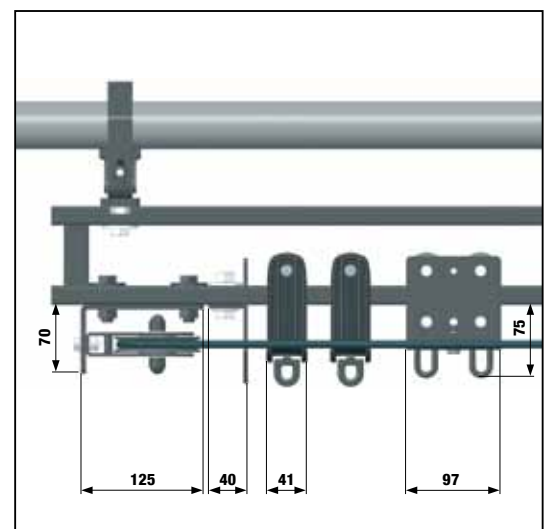
**4104 1182**  
Polyester Rope  $\varnothing$  8 mm



**3100 7061**  
Floor Pulley with foot stirrup



**3130 2311**  
Head Pulley



Side View

## Blue Box Bochum

### Description

- Manufacture and installation of two 42,00 m (137'8") powder coated, remote controlled, KING track systems.
- Each system included a 180° and a 90° curved section. The installation supported directly from a Mero-ceiling truss.
- Each system was equipped with four 3-layer acoustic curtains.
- Designed to provide both visual and acoustic separation for a series of separate room units in the Faculty of Architecture at Bochum University.
- Each of the eight curtains measured 8.60 x 3.80 m (28'2" x 12'5").

### Client

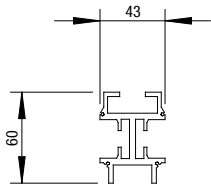
Bochum University of Applied Sciences

### Location

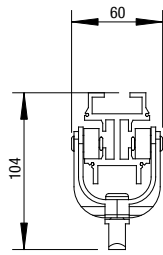
Bochum / Germany



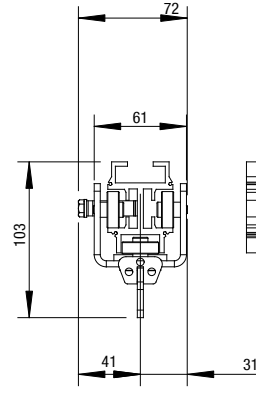
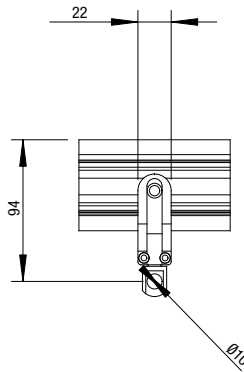




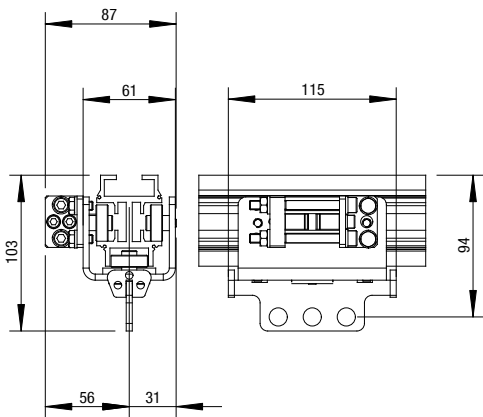
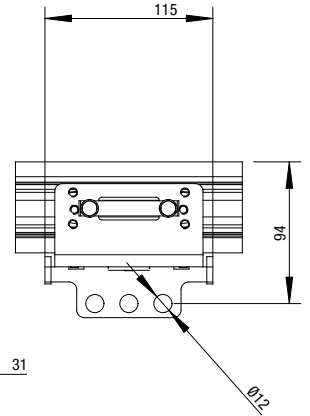
**BELT-TRACK**



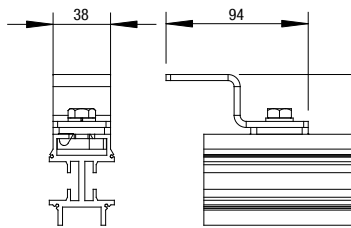
**2-Wheel Runner**



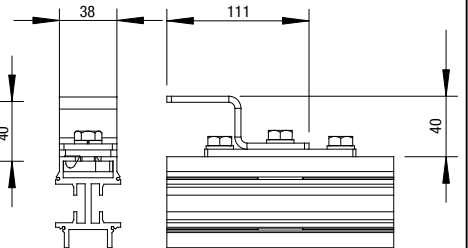
**Complementary Master Runner**



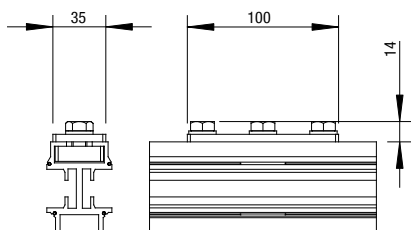
**Master Runner  
with Belt Clamping**



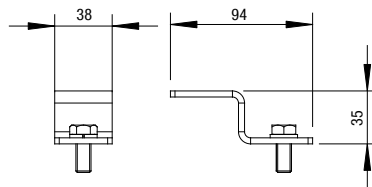
**Suspension Bracket  
with Adjustable Nut**



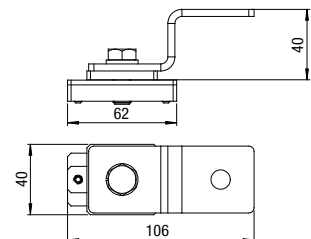
**Track Splice  
with Suspension Bracket**



**Track Splice**



**Suspension Bracket,  
single without Nut**



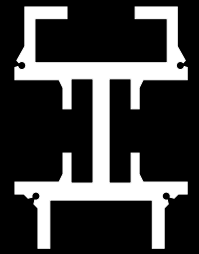
**Suspension Bracket  
with Adjustable Nut HD**

All dimensions in mm



[TRACK SYSTEMS]

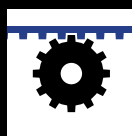
# BELT-TRACK



## Compact and Exact!

BELT-TRACK, the motorized curtain track for medium to heavy-weight curtains and scenery. The system is our advanced, new track system for exact positioning of the intended load. BELT-TRACK is ideal for precise scenic movement.

An advantage of the track system is the 'multi curtain track' feature. This means that several curtain sheets can be moved synchronously along the track.



### Technical Data

#### Track

Weight	1,920 g/m (1.2 lbs/ft)
Length of Section	6.00 m (19'8")
System Length limited to 36 m of Track	
Distance Between Hanging Points	2.00 m (6'7")
Min. Curve Radius	0.50 m (19.6")

#### Safe Working Load

Master Runner	35 kg (77 lbs)
2-Wheel Runner	15 kg (33 lbs)

# [TRACK SYSTEMS]

## BELT-TRACK: Track system with overlap and curved sections

Optionally available, an incremental encoder can be added. The incremental encoder is an electrical distance measuring system which ensures a position-dependent control of the system.



**3122 3017**  
Complementary Master Runner



**3122 0021**  
2-Wheel Runner



**3122 3011**  
Master Runner with Belt Clamping



**3122 6051**  
Overlap Section, 1 m



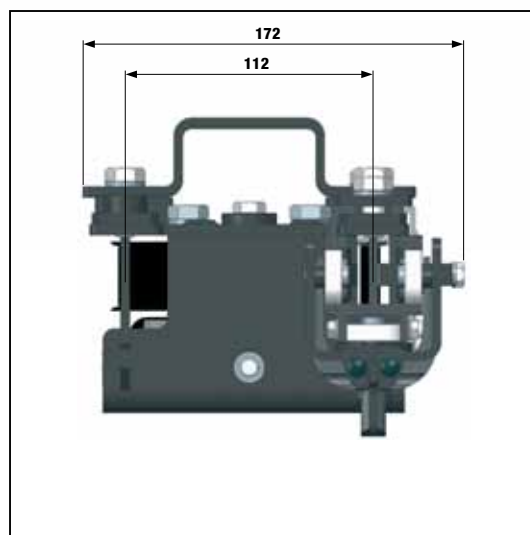
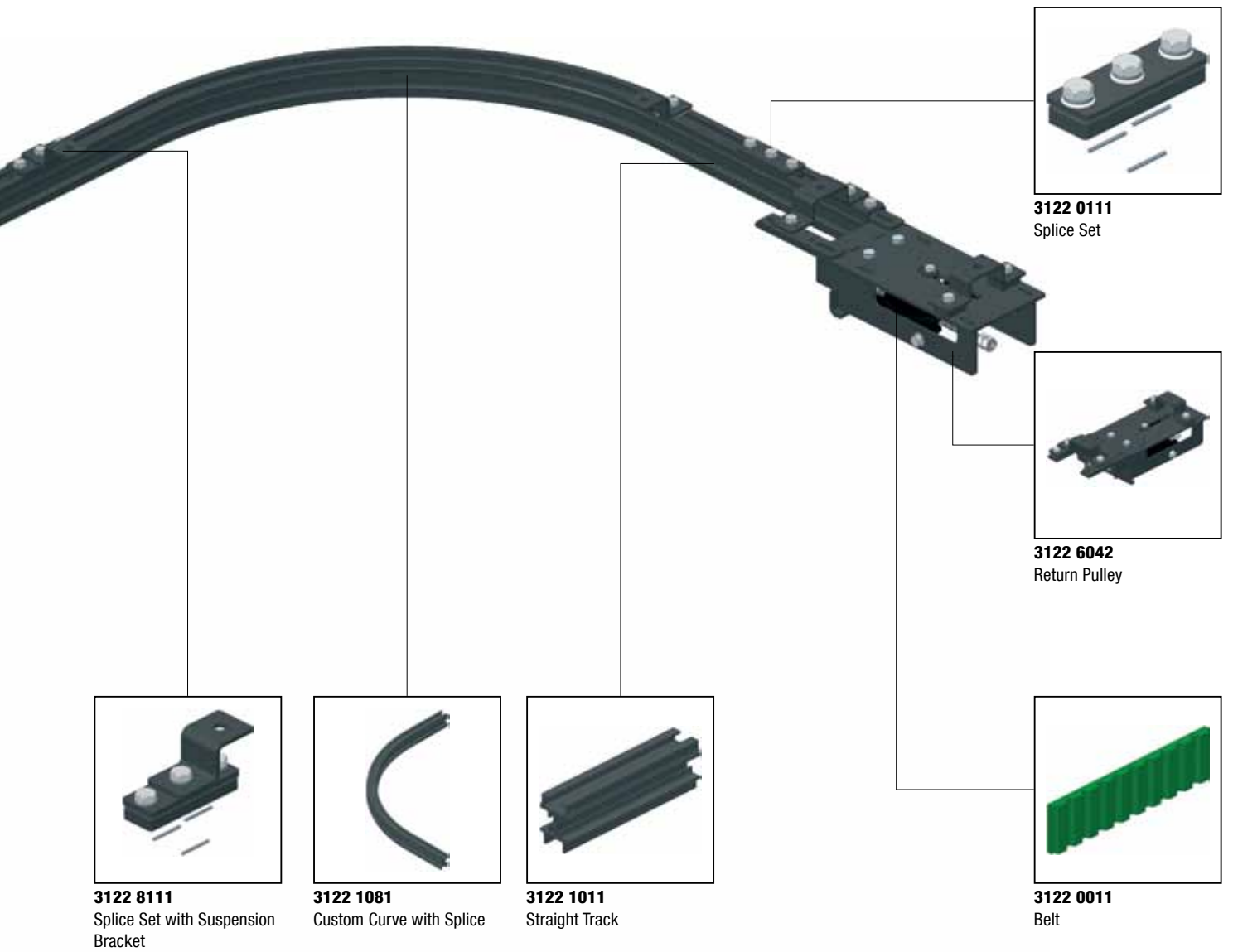
**3122 8112**  
Suspension Bracket with adjustable Nut



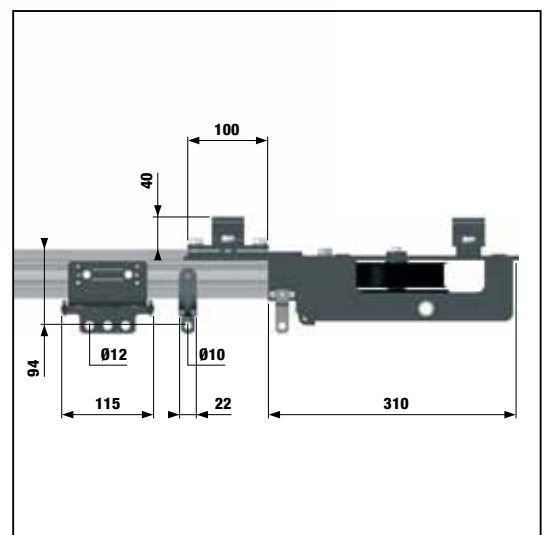
**3122 6011**  
Return Pulley drive side, mounted to the left



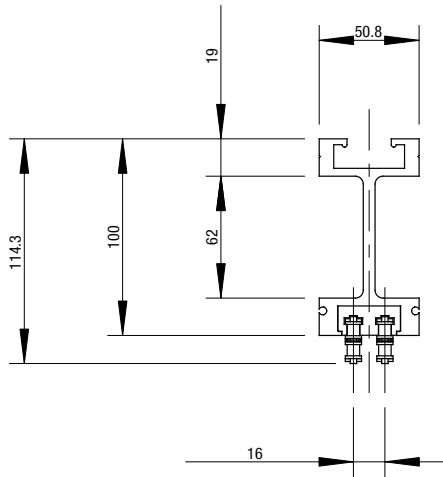
**3122 7111**  
Drive BT30



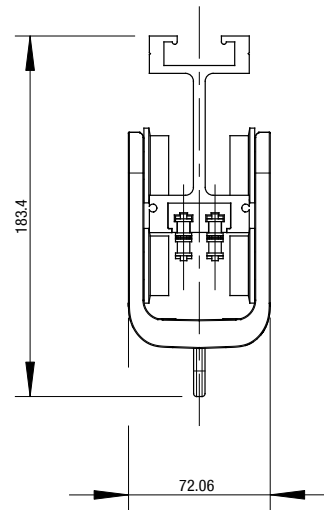
End View



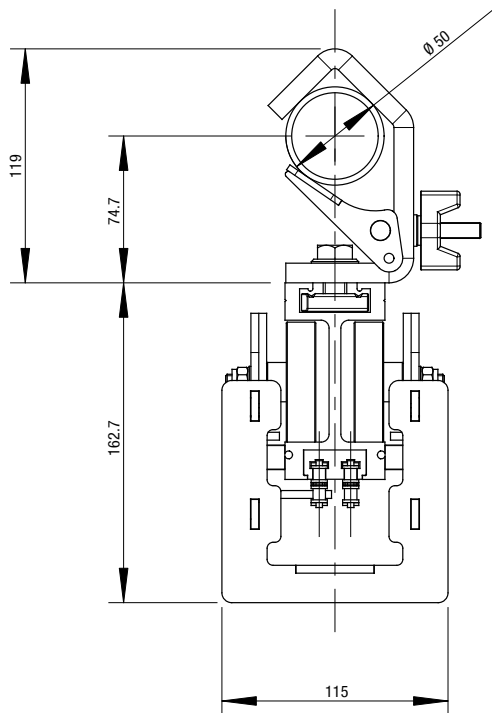
Side View



CHAINBEAM



2-Wheel Runner 2+2  
in Plastic

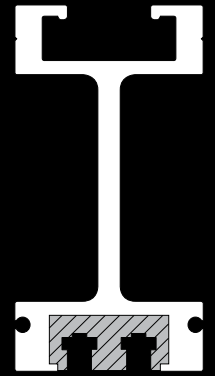


Heavy-Duty Carrier with  
Chain Attachment

All dimensions in mm

[TRACK SYSTEMS]

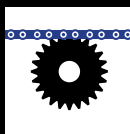
# CHAINBEAM



## Strong and Precise!

CHAINBEAM can be motorized to move extremely heavy weights, such as scenic elements, with the integrated roller chain on the bottom side of the track profile.

Precise positioning can be accomplished due to the positive, 'no-slip' advantages of using chain as the drive mechanism.



### Technical Data

#### Track

Weight	3,500 g/m (2.36 lbs/ft)
Length of Section	6.00 m (19'8")
Min. Curve Radius	2.00 m (6'7")

#### Safe Working Load

Master Runner	60 kg (132 lbs)
2-Wheel Runner	15 kg (33 lbs)
4-Wheel Runner	30 kg (66 lbs)



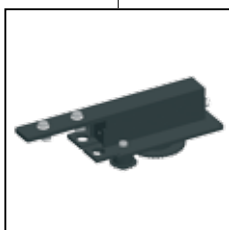
[TRACK SYSTEMS]

**CHAINBEAM: Curved Track System**

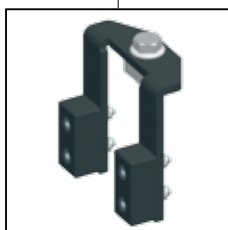
For medium duty up to heavy curtains and backdrops.



**3130 0071**  
2-Wheel Runner in Plastic



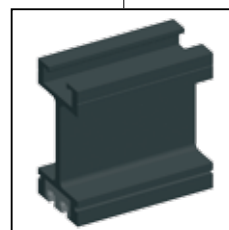
**3132 2321**  
Return Pulley



**3132 0011**  
End Stop



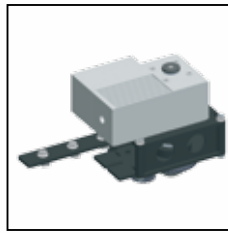
**3130 0081**  
2-Wheel Runner 2+2 in  
Plastic



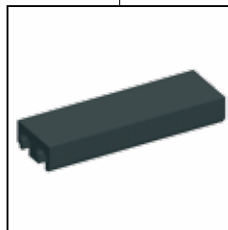
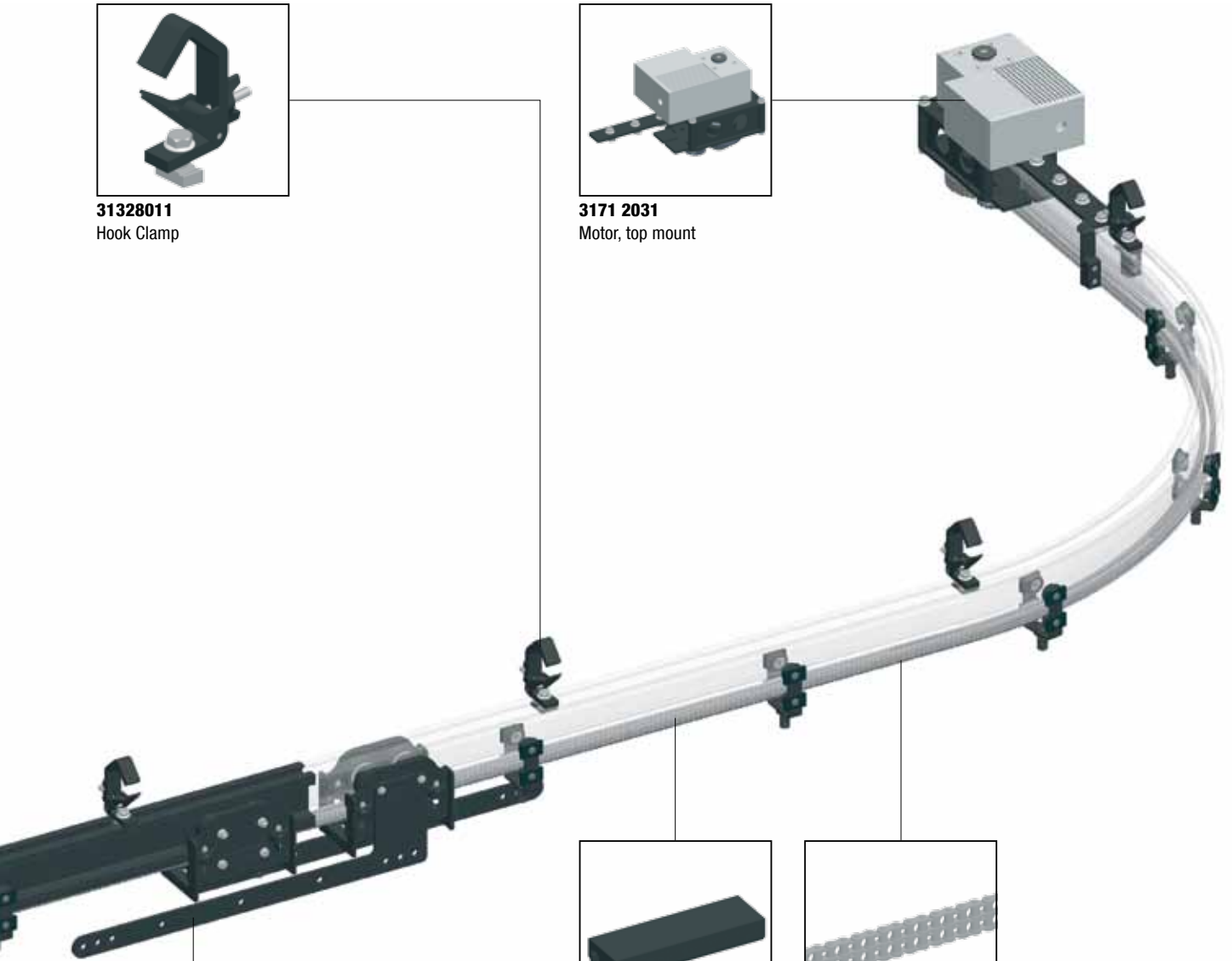
**3132 1011**  
Track, straight



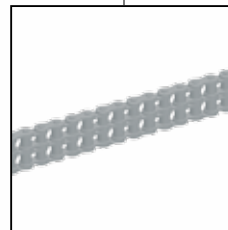
**31328011**  
Hook Clamp



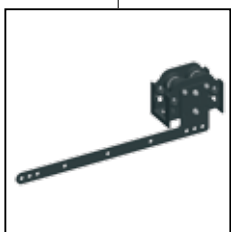
**3171 2031**  
Motor, top mount



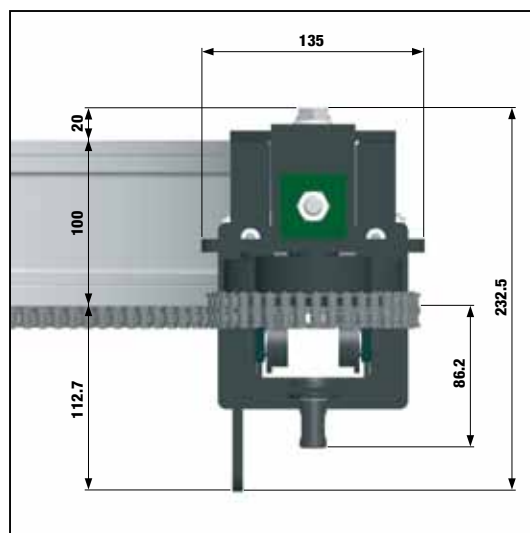
**3132 9011**  
Chain Guide



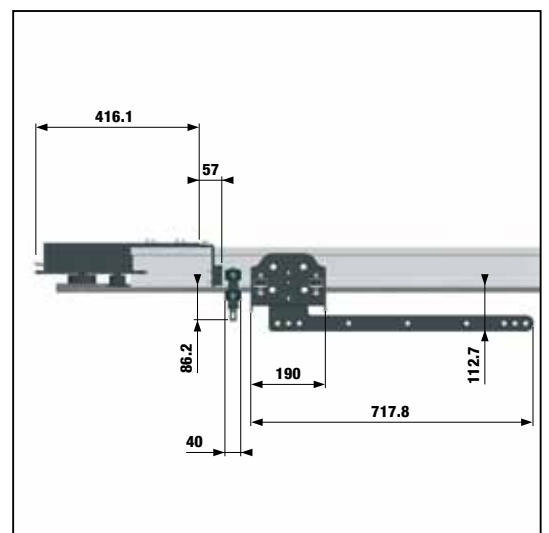
**3132 9101**  
Roller Chain



**3132 2221**  
HD Runner with overlap arm



End View



Side View

## Discovery Cube Science Center

### Description

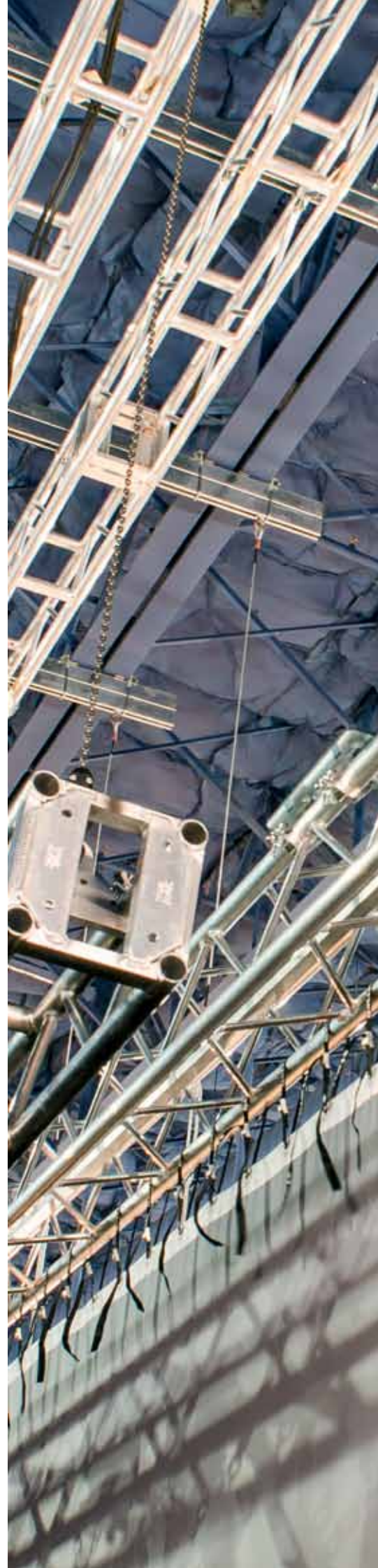
- Installation of a complex system that can convert an expo hall into a movie theatre and back again easily and quickly.
- 19.00 m (62') wide MEGASCREEN TOUR system with a 19.00 m wide x 8.00 m high (62' x 27') GAMMALUX® MIRCO projection screen.
- 21.00 m (69') wide STRATUS Vertical Curtain Lift System for retractable rear black out curtains made from CRESCENT 20 oz IFR velour.
- CHAINBEAM track system is used for a horizontal masking system for the projection screen. A custom hoist system was designed to retract the CRESCENT masking curtains out of the way while the expo hall is in use.
- Separate TRUMPF 95 track system for additional CRESCENT black out curtains.
- Truss system to mount speakers to behind the projection screen that can be hoisted to the ceiling for storage when not in use.

### Client

Discovery Cube Science Center of Orange County

### Location

Orange County, CA / USA

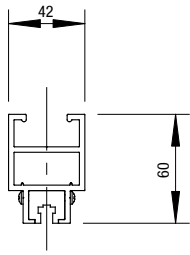




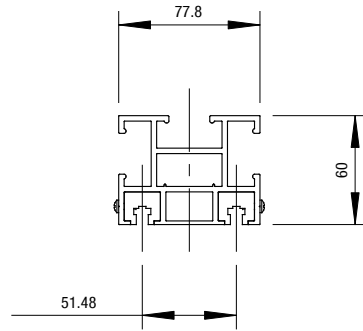


Project video

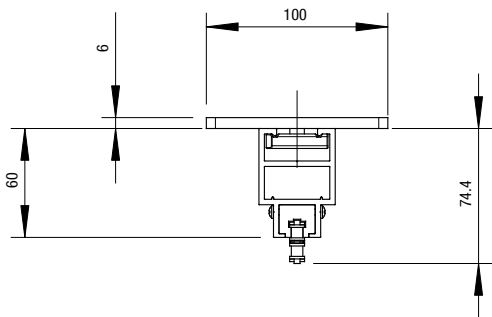




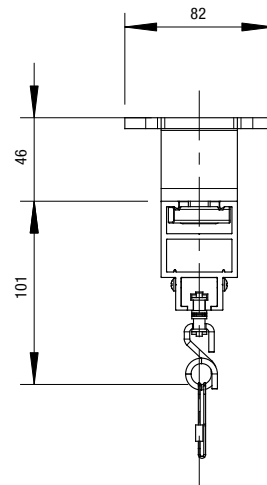
**CUE-TRACK 2**  
Continuous Chain System Single Chain



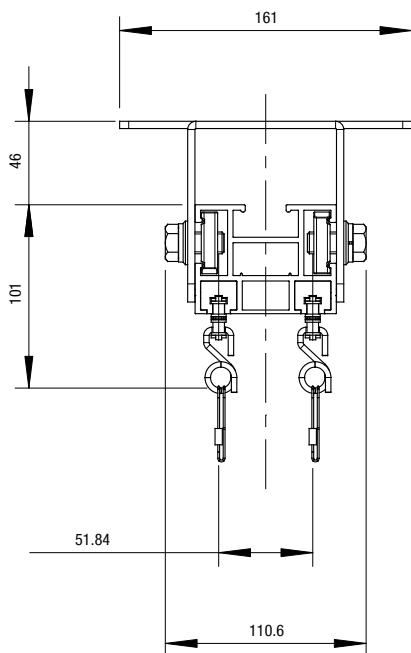
**CUE-TRACK 2**  
Continuous Chain System Double Chain



Continuous Chain System Single Chain  
with Ceiling Mounting Plate



Continuous Chain System Single Chain  
with Mounting Bracket



Continuous Chain System Double Chain  
with Mounting Bracket

All dimensions in mm



[TRACK SYSTEMS]

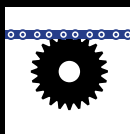
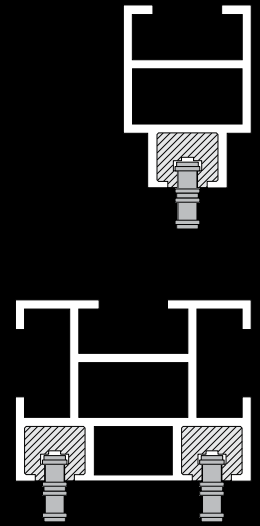
# Continuous Chain System

## CUE-TRACK 2

### Tight and Robust!

CUE-TRACK 2 is a curtain system with an internal endless chain. The system is distinguished by its powerful and uniform pull, its fine speed gradations and its high positioning accuracy.

CUE-TRACK 2 is mainly used in the context of curtains with minimal stacking area, side masking systems in the cinema, room divider curtains, and backdrops. The track's tight 90 degree radii allow for screens and curtains to stack flat by having the system double back on itself.

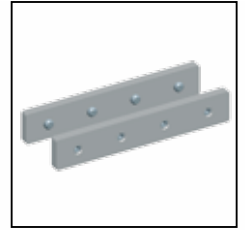


Technical Data		
Track	Single Chain Profile	Double Chain Profile
Weight	2,950 g/m (2.0 lbs/ft)	4,450 g/m (3.0 lbs/ft)
Power Consumption	Depending on Application up to 4.0 kW	
Dist. between Hang Points in Duplex Chain	Variable	
Chain Speed	max. 0.60 m/s (24 in/sec)	
Safe Working Load		
max.	20 kg/m (13.4 lbs/ft)	

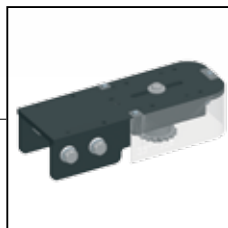
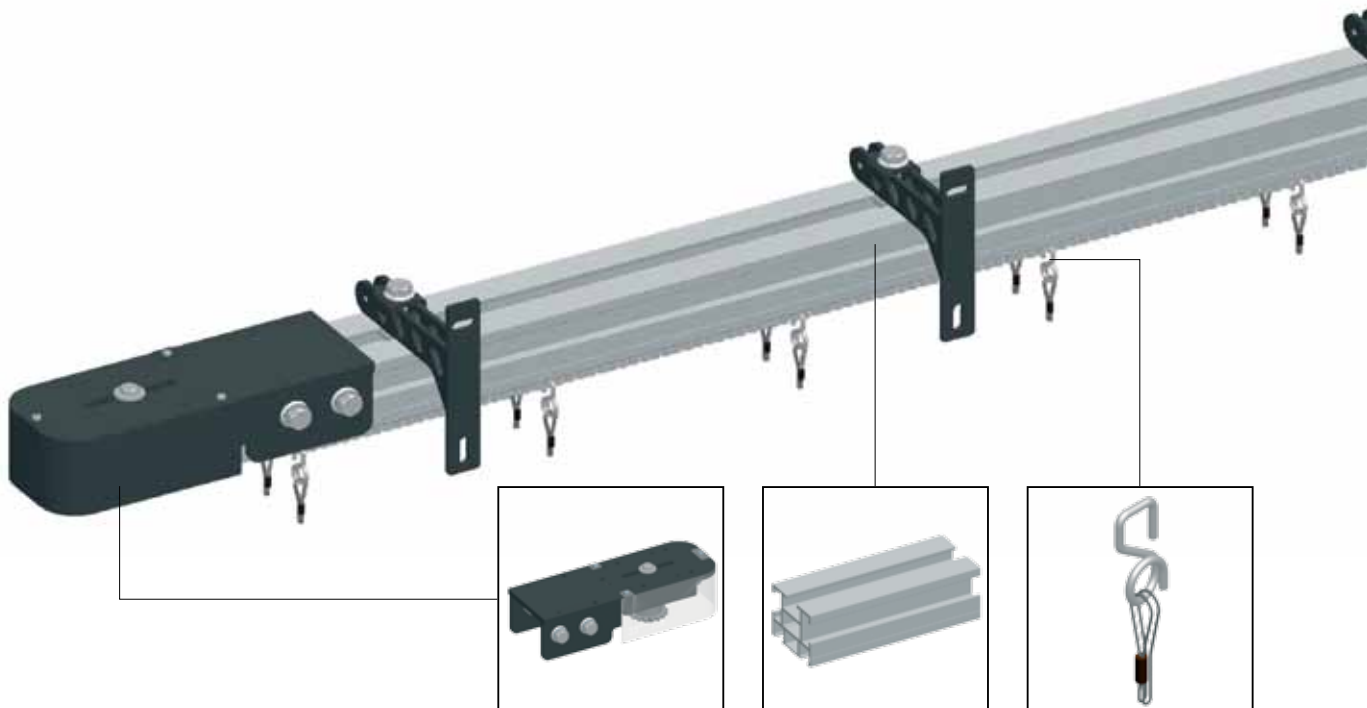
[TRACK SYSTEMS]

**CUE-TRACK 2:  
Continuous Chain System with 90° Corner**

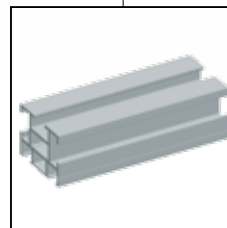
CUE-TRACK 2 is a track system for precise and accurate movement of curtains, soft goods or projection screens. Curtains and projection screens will remain flat when moving and in storage position.



**3216 0211**  
Track Splice Set (not shown)



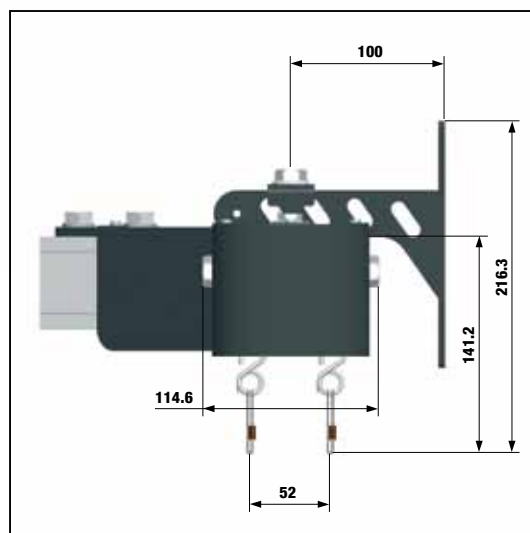
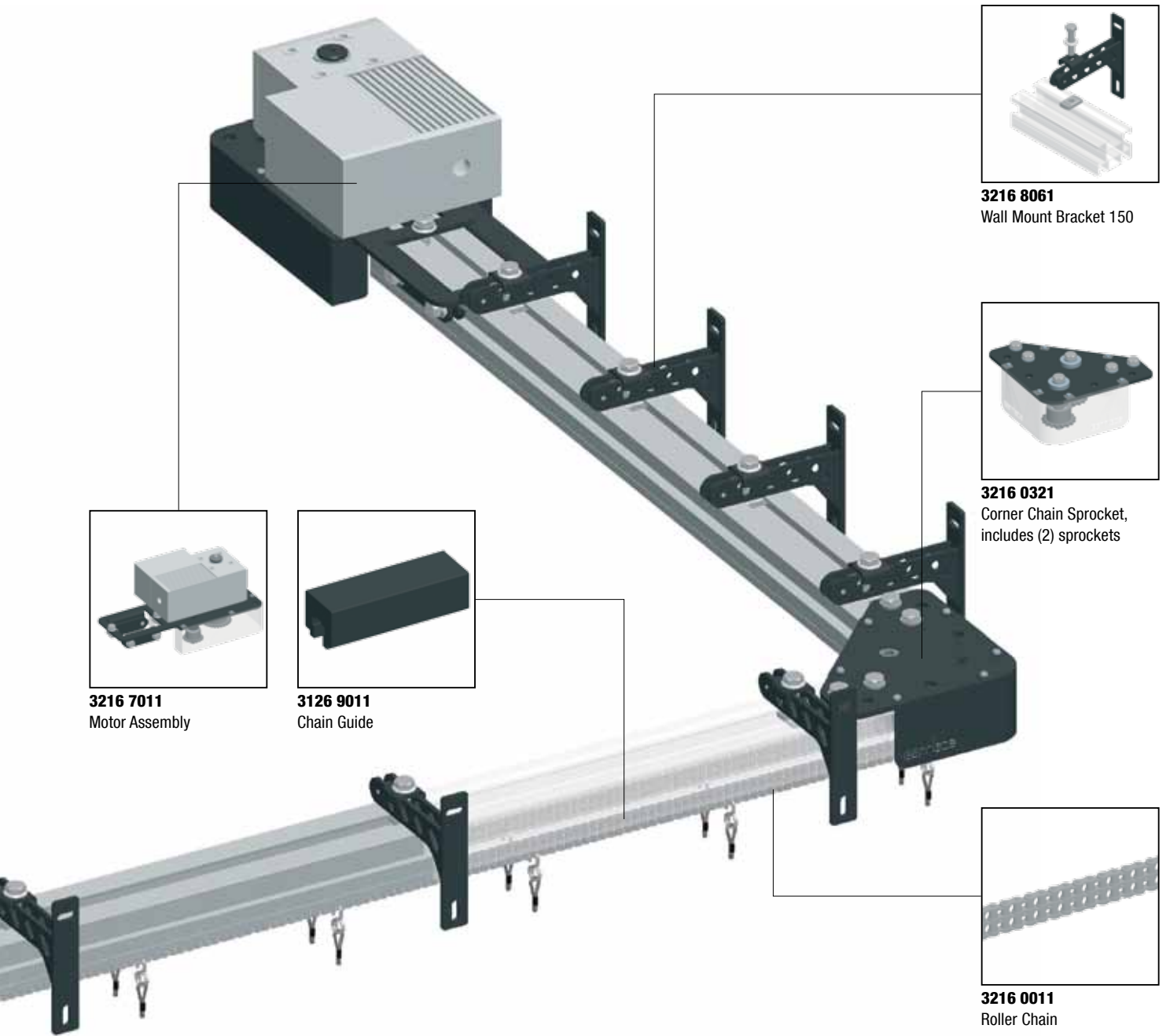
**3216 2031**  
Return End Chain Sprocket



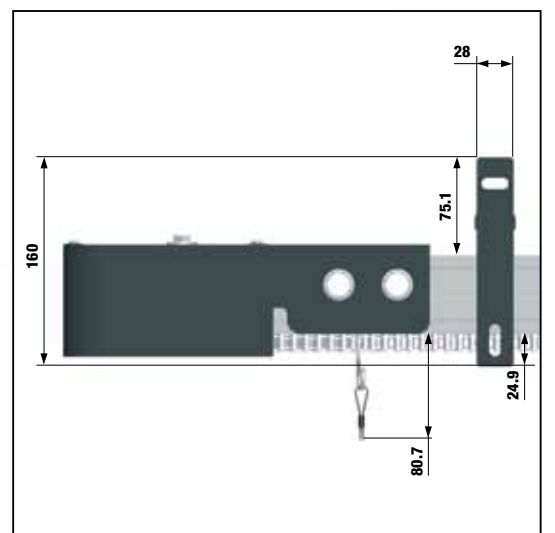
**3216 202-**  
Track, straight, black or clear anodized



**3216 9091**  
Curtain Hanger



End View



Side View

## Biennale 2012

### Description

- Installation of the approx. 265 lbs (120 kg) heavy curtain on a 459 ft (140 m) long CUE-TRACK 2 track system.
- Six variable speed motors with independent programming.

### Designer

Petra Blaisse / Inside Outside

### Client

NAi – Netherlands Architecture Institute

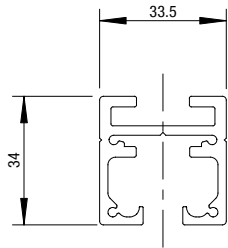
### Location

Dutch Pavilion, Biennale 2012 Venice / Italy

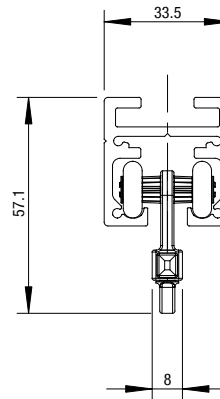




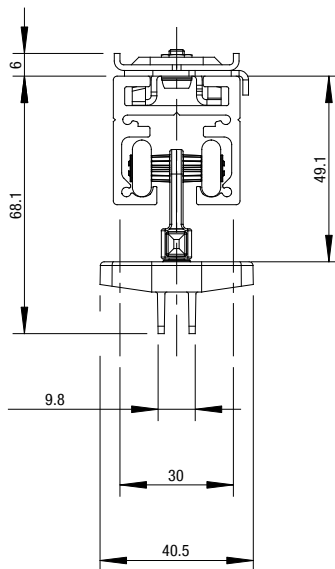




JACK-TRACK



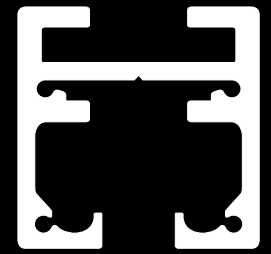
2-Wheel Runner, Single Suspension



2-Wheel Runner, Triple Suspension  
and G-TWIST Ceiling Mount Bracket

[TRACK SYSTEMS]

# JACK-TRACK

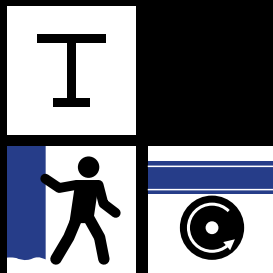


## Inconspicuous and Discrete!

JACK-TRACK is our track for light to medium-weight curtains for permanent installations.

Because of its internal profile, the track can be mounted flush to the ceiling and will fit perfectly in most architectural installations.

JACK-TRACK is small, unobtrusive, quiet and stable.



Technical Data	
<b>Track</b>	
Weight	1,040 g/m (11.2 oz/ft)
Length of Section	6.00 m (19'8")
Distance Between Hanging Points	2.00 m (6'7")
Min. Curve Radius	1.00 m (3'3")
<b>Safe Working Load</b>	
2-Wheel Runner	5 kg (11 lbs)



Focus Open 2017  
Special Mention

# [TRACK SYSTEMS]

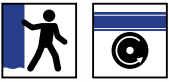
## JACK-TRACK: With FRICTION-DRIVE

The JACK-TRACK track system can be equipped with single or multi-layer curtains for sun shading or sound insulation. The track can either be installed by means of ceiling mounting or integrated into the suspended ceiling in an architecturally inconspicuous way.

In combination with Gerriet's sound curtain OFFICE, attractive room-within-a-room solutions can be realized.



**3115 816-**  
G-TWIST Ceiling Mount Bracket



**3107 0031**  
End Stop



**3107 191-**  
End Plate



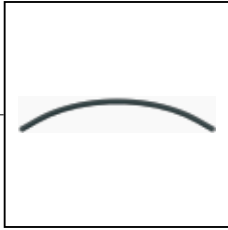
**3107 101-**  
Track, straight, black or clear anodized



**3107 002-**  
2-Wheel Runner, single suspension



**3115 817-**  
G-TWIST II Ceiling Mount  
Bracket



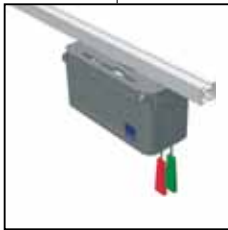
**3107 106-**  
Track, curved - with splice,  
black or clear anodized



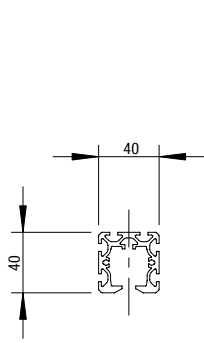
**3107 002-**  
2-Wheel Runner,  
triple suspension



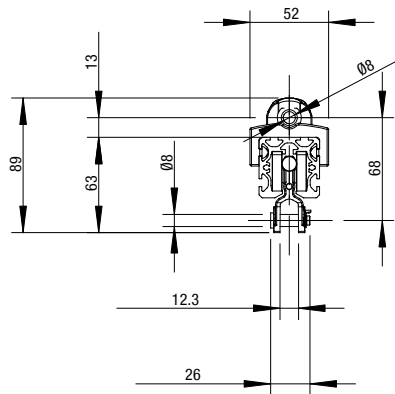
**3107 0011**  
Track Splice



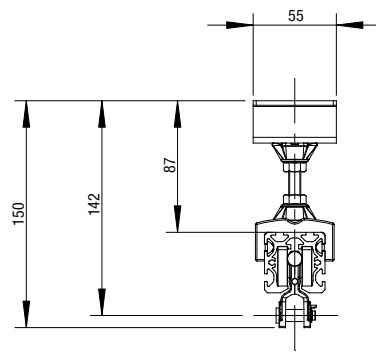
**3107-**  
JT FRICTION-DRIVE



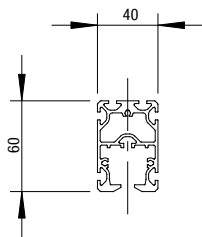
CARGO MICRO 40



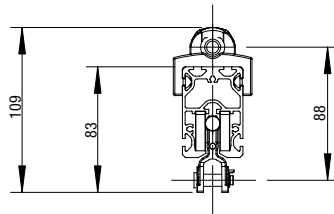
Heavy-Duty Carrier, Model A  
Swivel Mount Bracket



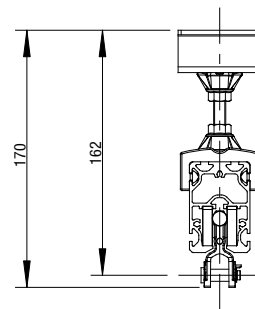
Heavy-Duty Carrier, Model A  
Hinged Standard Suspension



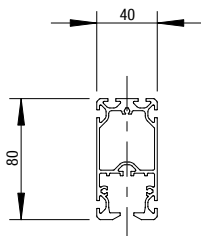
CARGO MICRO 60



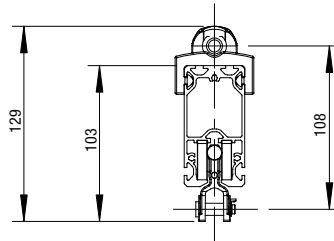
Heavy-Duty Carrier, Model A  
Swivel Mount Bracket



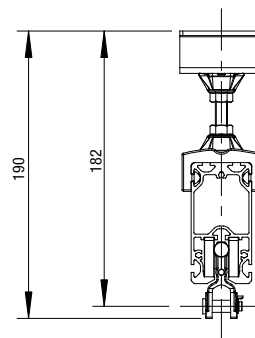
Heavy-Duty Carrier, Model A  
Hinged Standard Suspension



CARGO MICRO 80



Heavy-Duty Carrier, Model A  
Swivel Mount Bracket



Heavy-Duty Carrier, Model A  
Hinged Standard Suspension

All dimensions in mm



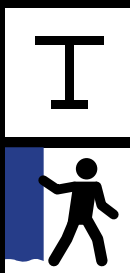
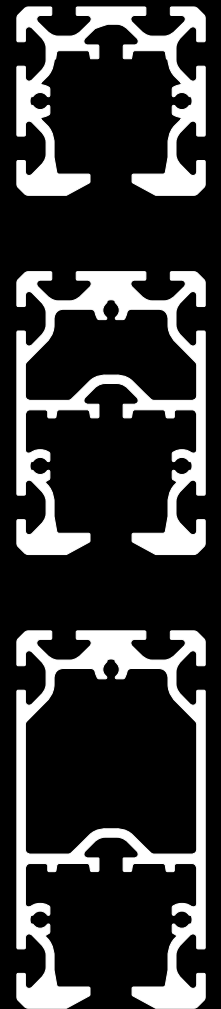
[TRACK SYSTEMS]

# CARGO MICRO

## Small and Versatile!

CARGO MICRO is a medium-duty track for scenic elements and applications. Due to its external mounting channels this small and compact walk-along track is adaptable to many different situations.

This adaptability ensures an integration into architectural applications such as ceilings or other decorative elements with only a small visual slit seen by the viewer. The hanging brackets are made from reinforced fiber glass that allows for a secure load connection both vertically hanging down and upwards in a floor mount installation.



Technical Data			
Track	CARGO MICRO 40	CARGO MICRO 60	CARGO MICRO 80
Weight	1,400 g/m (.9 lbs/ft)	1,900 g/m (1.3 lbs/ft)	2,100 g/m (1.4 lbs/ft)
Length	up to 6.00 m (19'8")		
Min. Curve Radius	0.75 m (2'5")		
Safe Working Load			
Heavy-Duty Carrier	75 kg (165 lbs)		

# [TRACK SYSTEMS]

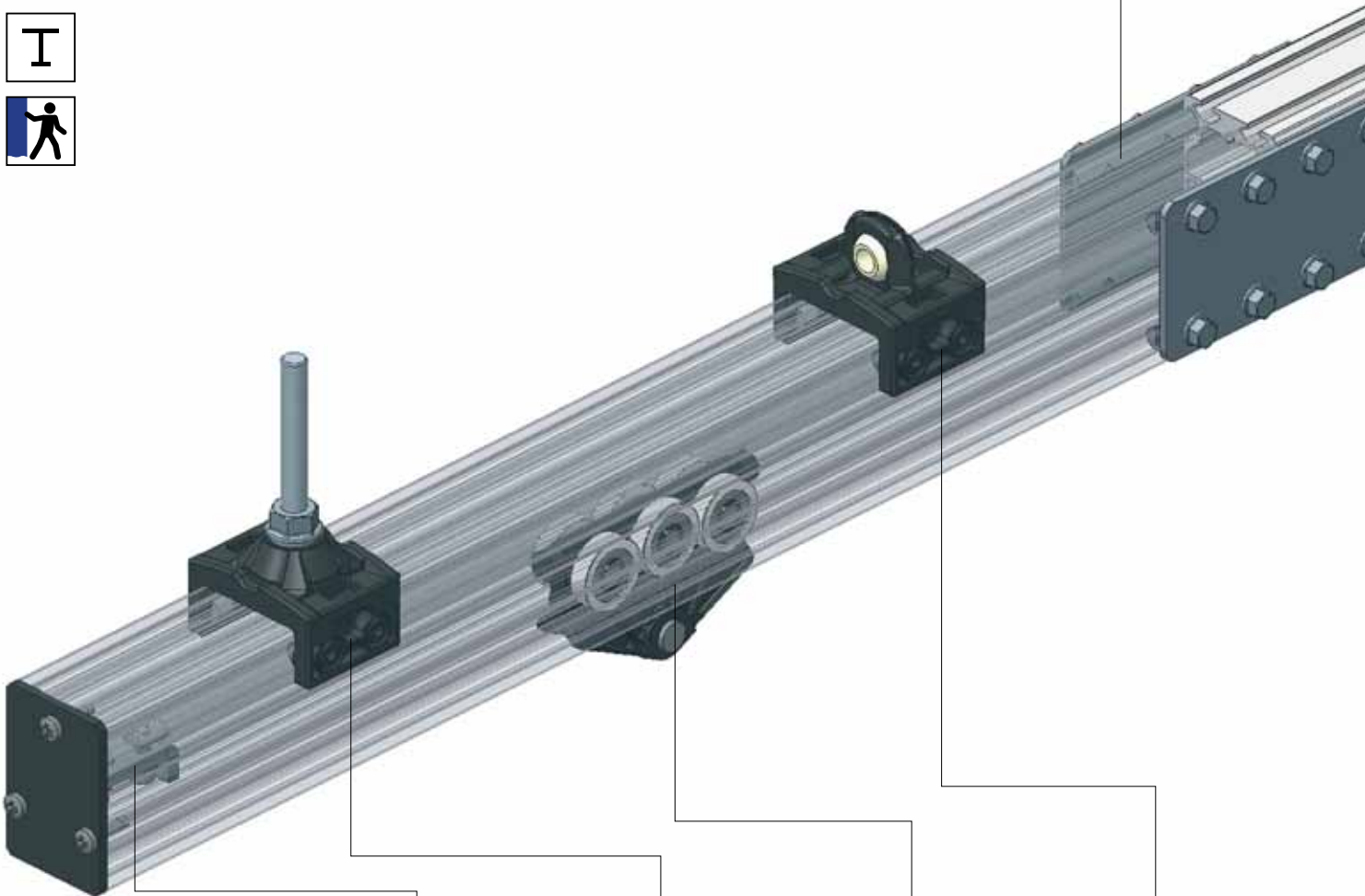
## CARGO MICRO 60: Walk-Along Track

Backdrops and scenic elements often have to be moved on stage in a scripted way. For this purpose, a quiet running and stable track system is required. Due to its load capacity CARGO MICRO can serve as a traditional curtain track as well a track embedded in the floor or as a vertical stabilizing track.

CARGO MICRO is available in the sizes 40 / 60 / 80, each varies in height and load capacity.



**3127 2922**  
Track Splice



**3127 0942**  
Adjustable End Stop



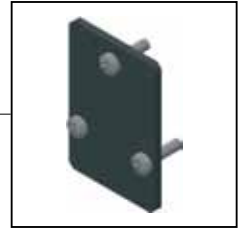
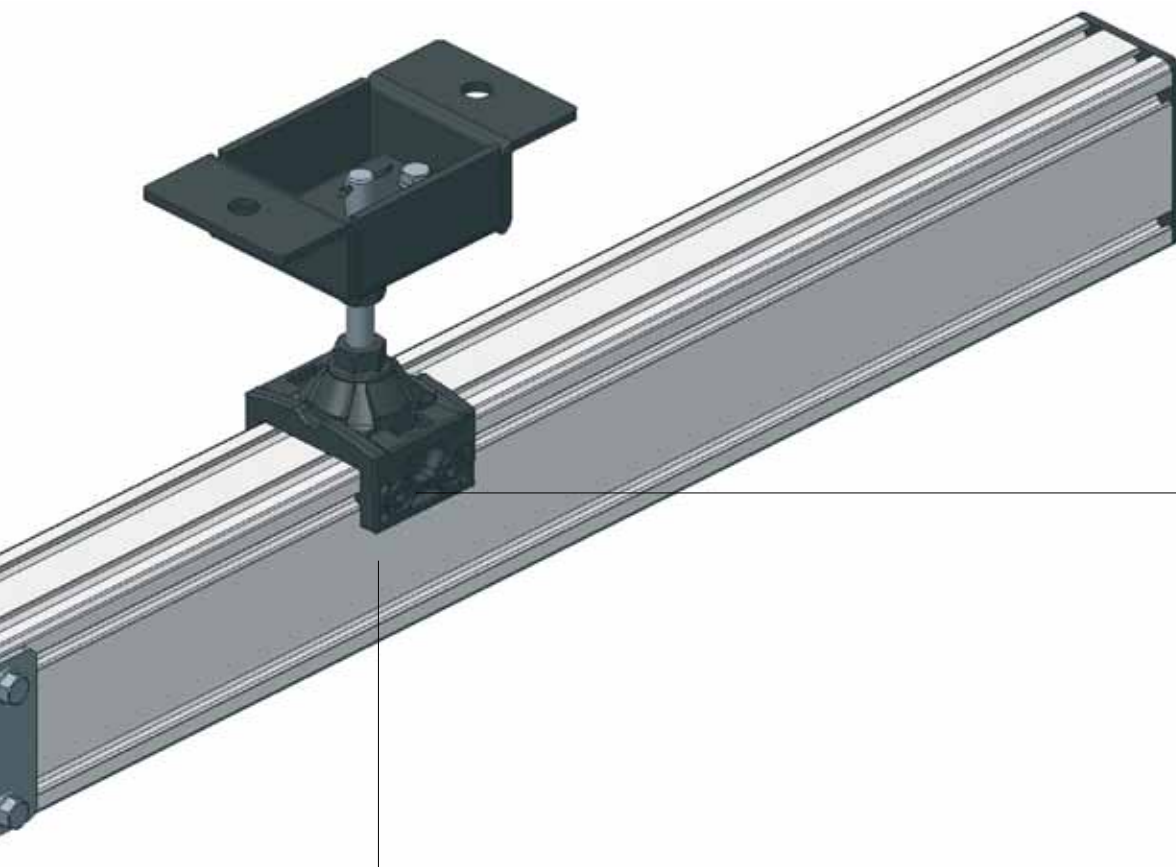
**3127 8081**  
Suspension threaded rod



**3127 0022**  
Heavy-Duty Carrier, Model A



**3127 8061**  
Swivel mount bracket



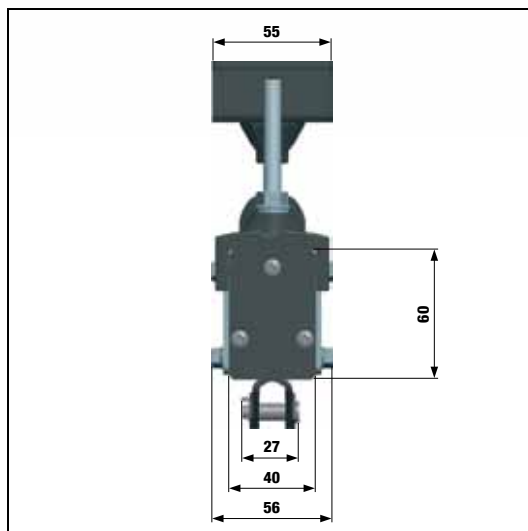
**3127 2912**  
End Plate



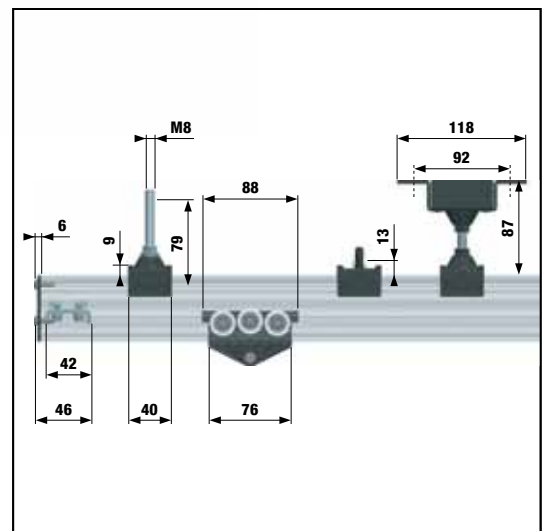
**3127 8071**  
Hinged standard  
suspension



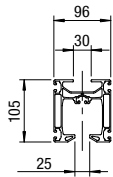
**3127 2031**  
Track, straight



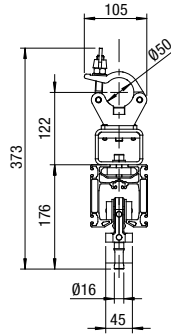
End View



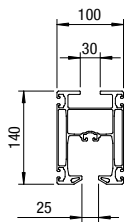
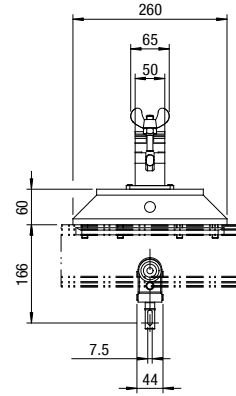
Side View



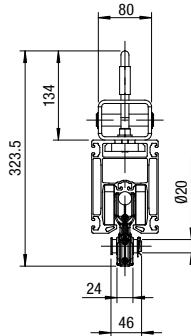
CARGO S



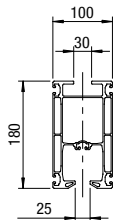
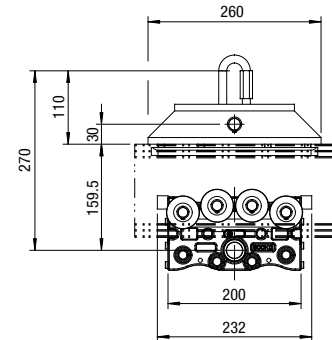
Mounting Bracket for Half-Coupler and 2-Wheel Runner



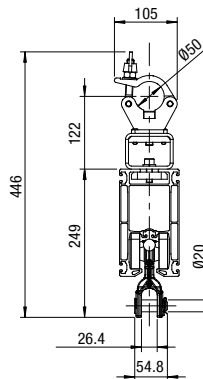
CARGO M



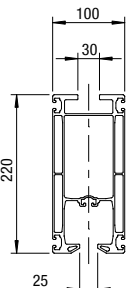
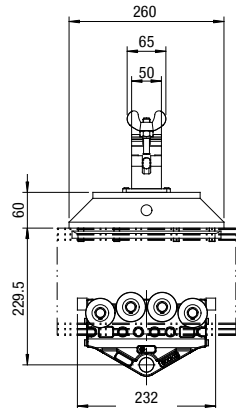
Eye Style Mounting Bracket and 2-Wheel Runner



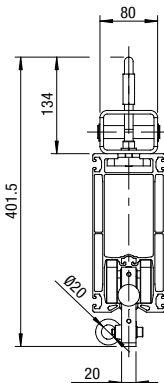
CARGO L



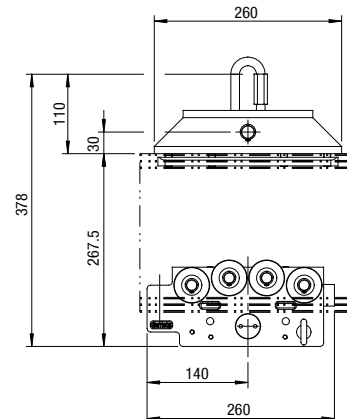
Mounting Bracket for Half-Coupler and Heavy-Duty Carrier, Model A



CARGO XL



Eye Style Mounting Bracket and Studio-Runner

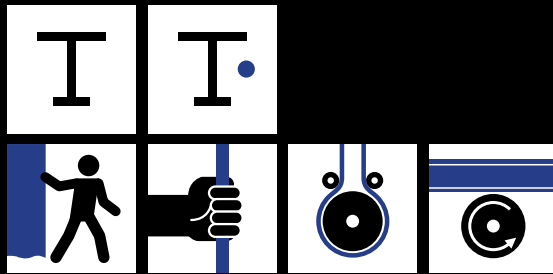
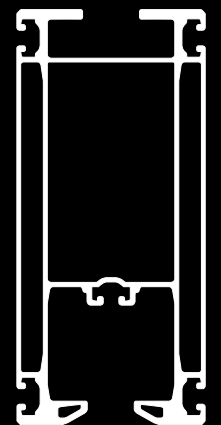
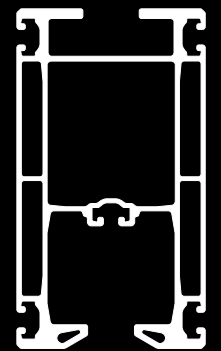
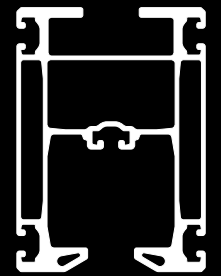
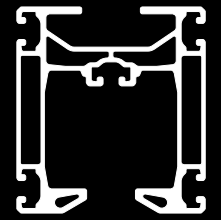


[TRACK SYSTEMS]

# CARGO S / M / L / XL

## Strong and Powerful!

The applications for CARGO track systems are many: In addition to the traditional use as a heavy-duty track system (e.g. moving heavy scenery or LED walls) it also can be used as flybars, battens in stage rigging or as a lighting track to easily mount and move lighting or projection equipment securely. Optionally available as a powered raceway for lighting equipment.

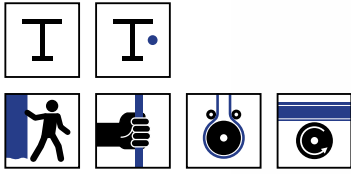


Technical Data				
Track	CARGO S	CARGO M	CARGO L	CARGO XL
Weight	5,000 g/m (3.4 lbs/ft)	7,000 g/m (4.7 lbs/ft)	8,500 g/m (5.7 lbs/ft)	10,000 g/m (6.7 lbs/ft)
Length	up to 8.00 m (26'3")	up to 8.00 m (26'3")	up to 14.00 m (45'11")	up to 14.00 m (45'11")
Min. Curve Radius	0.95 m (3'1")	1.40 m (4'6")	1.95 m (6'4")	-
Application				
Suitable for Loads up to	250 kg (550 lbs)	500 kg (1,100 lbs)	750 kg (1,650 lbs)	1,200 kg (2,640 lbs)
Safe Working Load				
Heavy-Duty Carrier	600 kg (1,320 lbs)			
2-Wheel Runner	20 kg (44 lbs)			



[TRACK SYSTEMS]

**CARGO L: A flybar, a lighting track, and a powered raceway all in one**



**3128 0022**  
Heavy-Duty Carrier, Model A



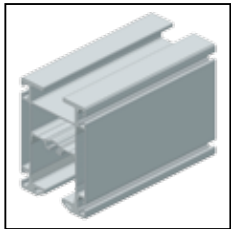
**3128 8221**  
Eye Style Mounting Bracket



**3128 8231**  
Steel Suspension Cable Bracket Set



**3128 0512**  
CARGO instant snap-in load point

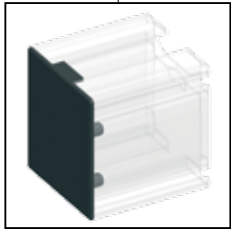


**3128 303-**  
Track, straight, black or clear anodized

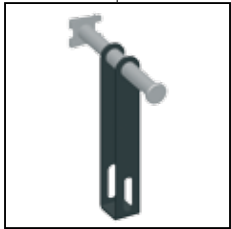


**3128 8211**  
Mounting Bracket for Half-Coupler

MZ  
503



**3128 2912**  
End Plate



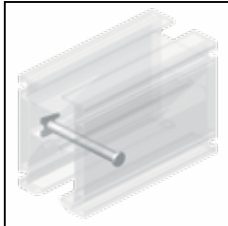
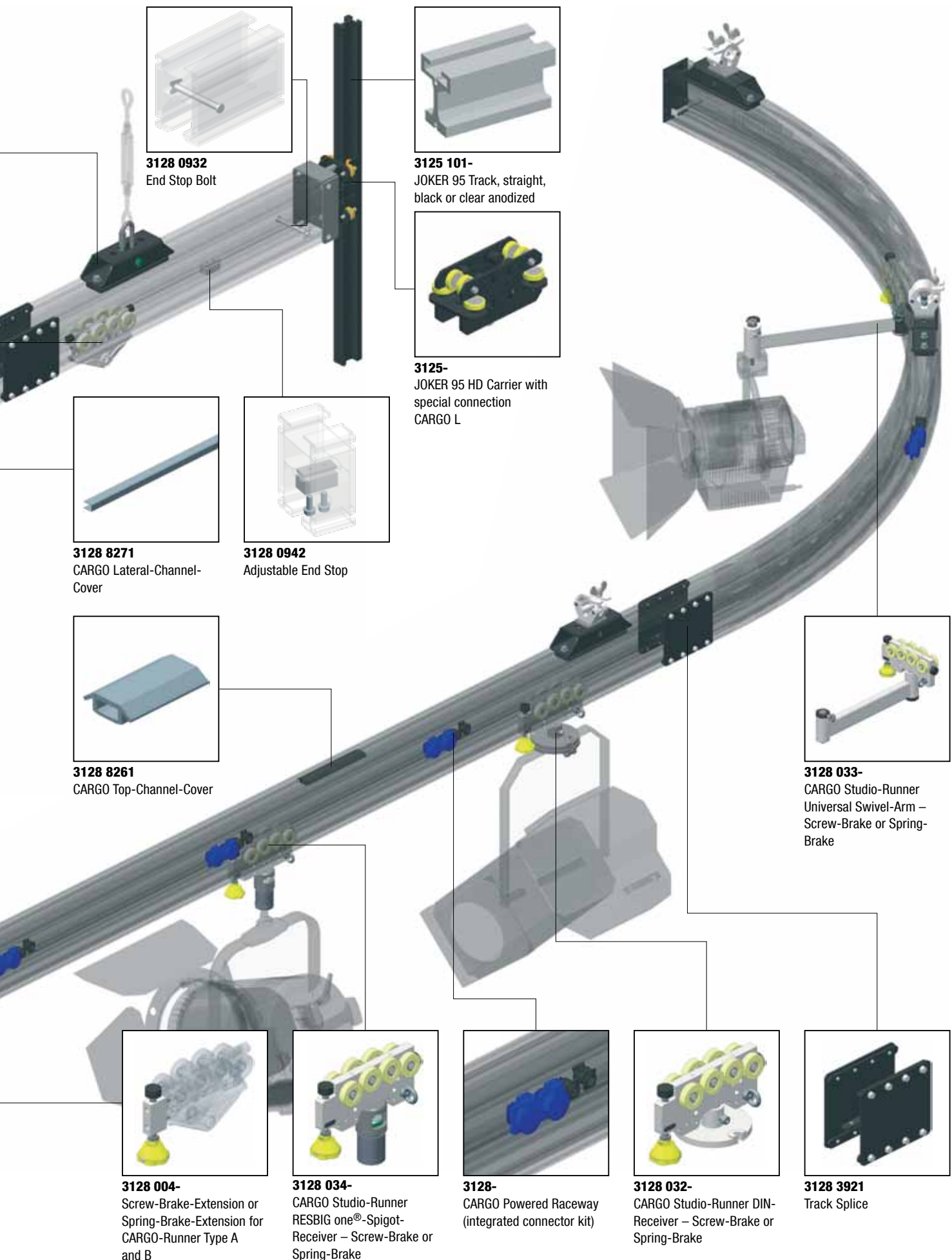
**3128 0962**  
End Stop with Curtain Attachment



**3128 0101**  
2-Wheel Runner



**3128 0021**  
Heavy-Duty Carrier, Model B



**3128 0932**  
End Stop Bolt



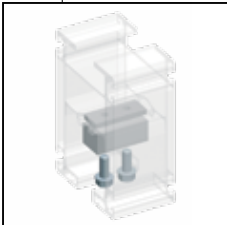
**3125 101-**  
JOKER 95 Track, straight,  
black or clear anodized



**3125-**  
JOKER 95 HD Carrier with  
special connection  
CARGO L



**3128 8271**  
CARGO Lateral-Channel-  
Cover



**3128 0942**  
Adjustable End Stop



**3128 8261**  
CARGO Top-Channel-Cover



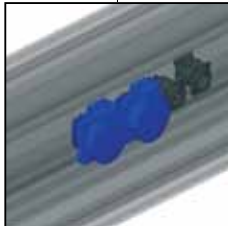
**3128 033-**  
CARGO Studio-Runner  
Universal Swivel-Arm –  
Screw-Brake or Spring-  
Brake



**3128 004-**  
Screw-Brake-Extension or  
Spring-Brake-Extension for  
CARGO-Runner Type A  
and B



**3128 034-**  
CARGO Studio-Runner  
RESBIG one®-Spigot-  
Receiver – Screw-Brake or  
Spring-Brake



**3128-**  
CARGO Powered Raceway  
(integrated connector kit)



**3128 032-**  
CARGO Studio-Runner DIN-  
Receiver – Screw-Brake or  
Spring-Brake



**3128 3921**  
Track Splice

## Theater Chemnitz

### Description

- Manufacture and installation of 18 CARGO L heavy-duty track systems used as flybars over the main stage.

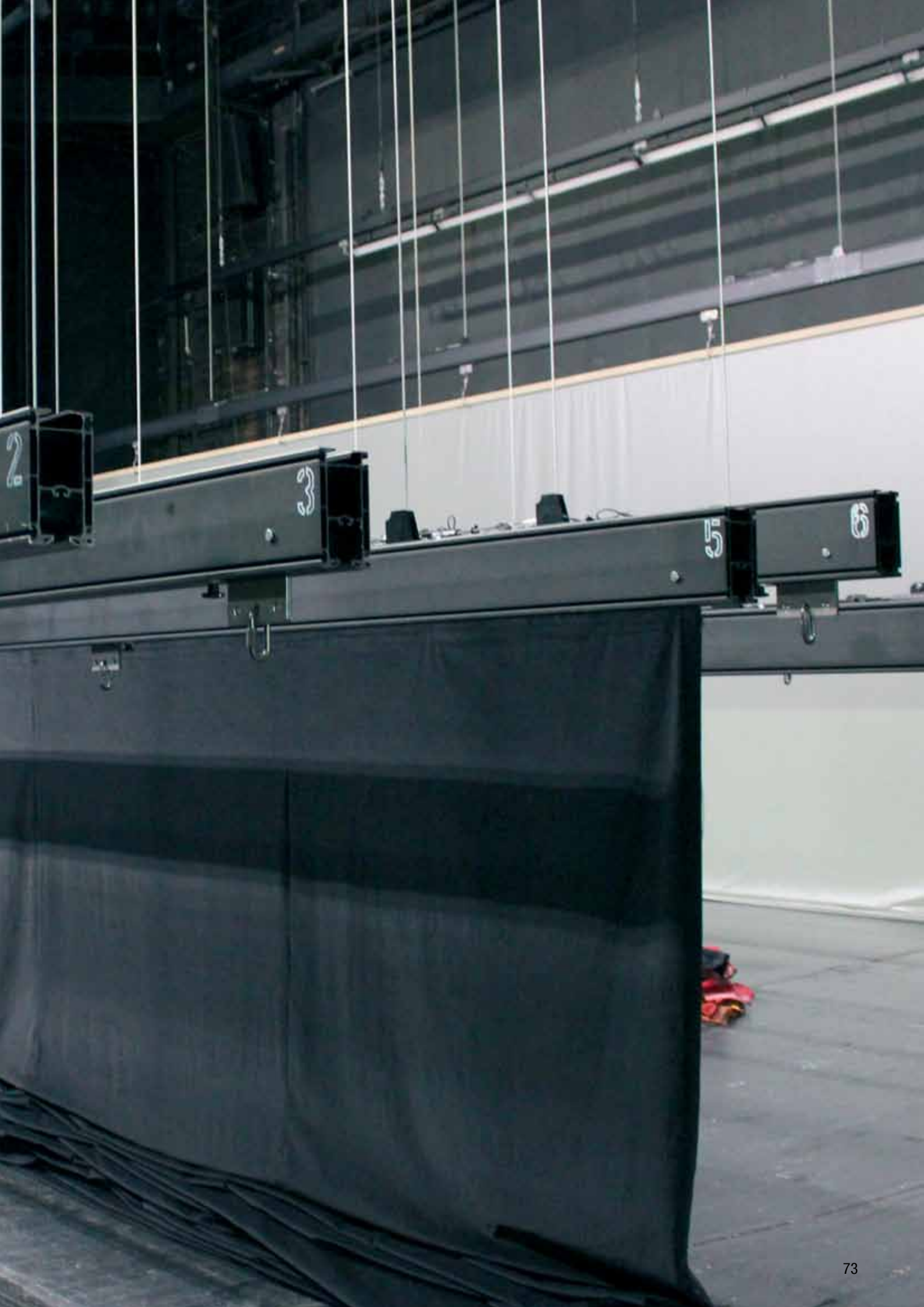
### Client

Theater Chemnitz

### Location

Chemnitz / Germany







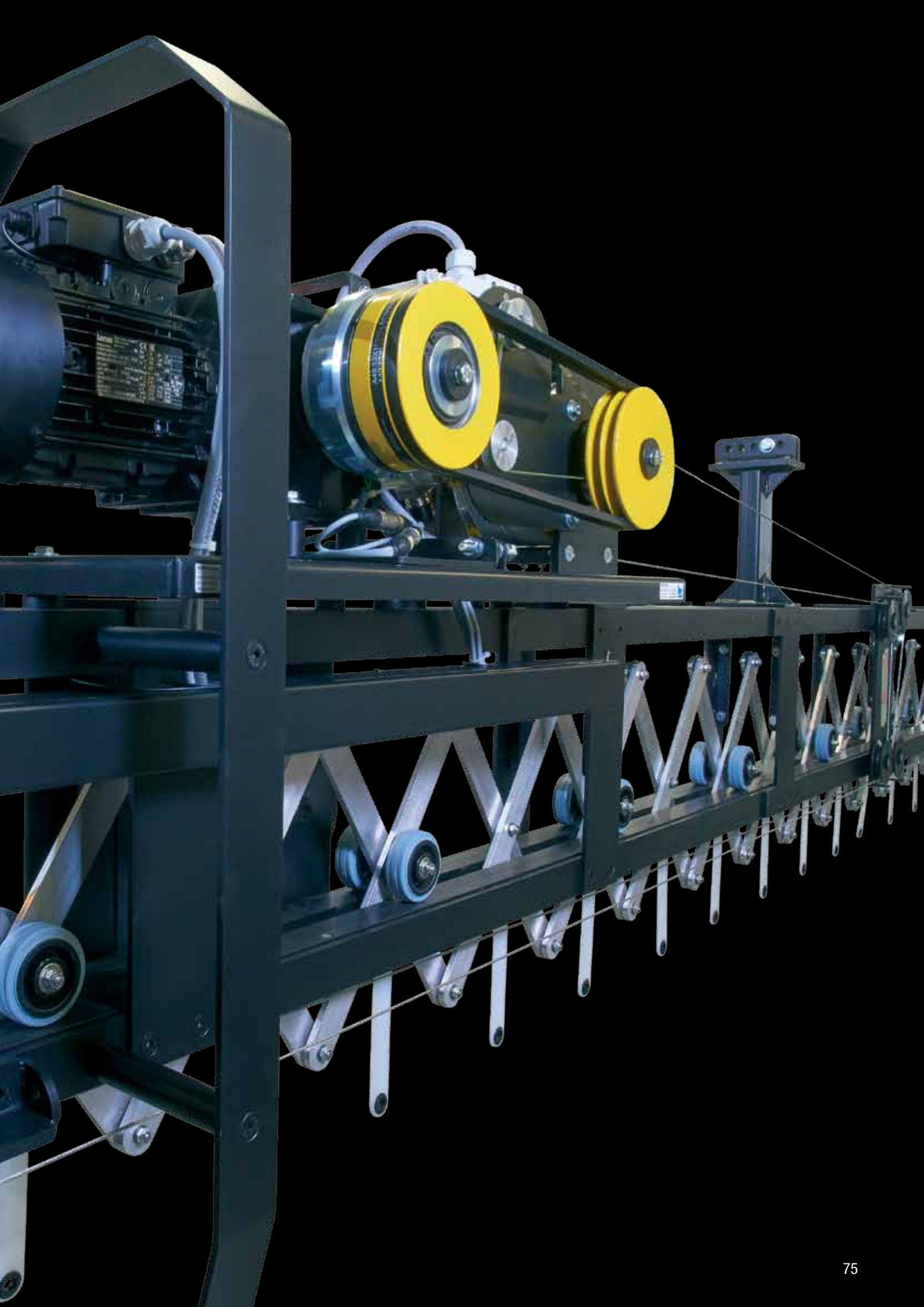
# [Be inspired]

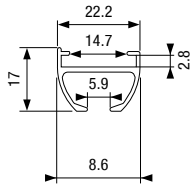


Learn more about our products, how they are used and how to assemble our track systems. Our product videos and tutorials provide exciting insights into the Gerriets' product world.

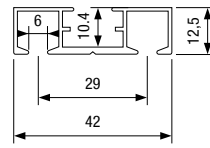




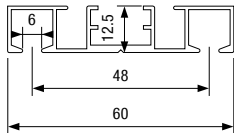




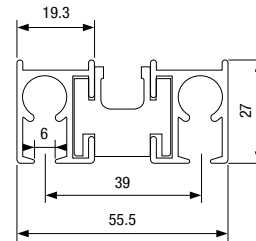
Walk Along Track Single Track



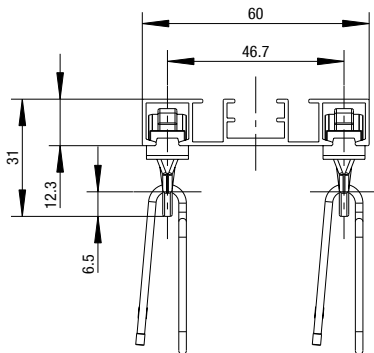
Walk Along Track Single Track with Overlap



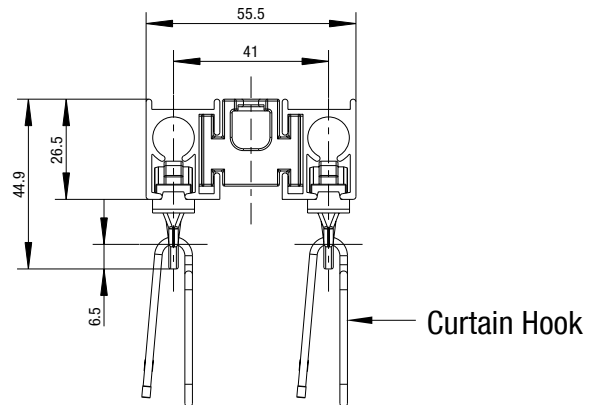
Walk Along Track Double Track



Internal Rope Drawn Track and Single Motor Operation Track



Walk Along Track with Curtain Hook



Internal Rope Drawn Track with Curtain Hook

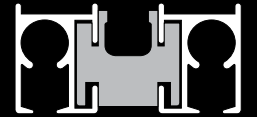
All dimensions in mm

[TRACK SYSTEMS]

# ELEGANCE

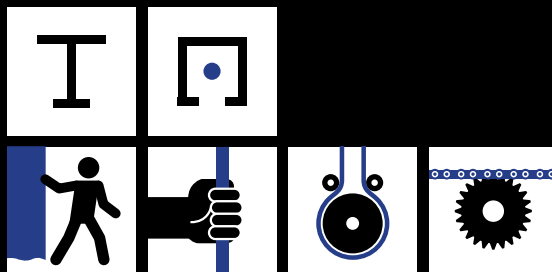


## Sophisticated and Smart!



ELEGANCE is an inconspicuous, low profile curtain track. It is a clean, simple solution for light weight curtains in an architectural environment.

Available as single or double track system with internal runner and rope.



### Technical Data

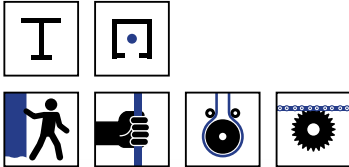
Track	Walk Along Track Single Track	Walk Along Track Single Track with Overlap	Walk Along Track Double Track:	Internal Rope Drawn Track	Single Motor Operation Track
Weight	207 g/m (2.2 oz/ft)	380 g/m (4.1 oz/ft)	516 g/m (5.5 oz/ft)	898 g/m (9.6 oz/ft)	898 g/m (9.6 oz/ft)
Profile Height	17 mm (.67")	12.5 mm (.49")	12.5 mm (.49")	27 mm (1.06")	27 mm (1.06")
Standard Lengths	6.00 m (19'8")	6.00 m (19'8")	6.00 m (19'8")	6.00 m (19'8")	6.00 m (19'8")
Min. Curve Radius	0.15 m (5.3")	0.50 m (19.7")	-	0.35 m (13.7")	0.35 m (13.7")

Safe Working Load	
Runner	2 kg (4.4 lbs)

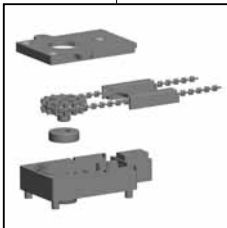
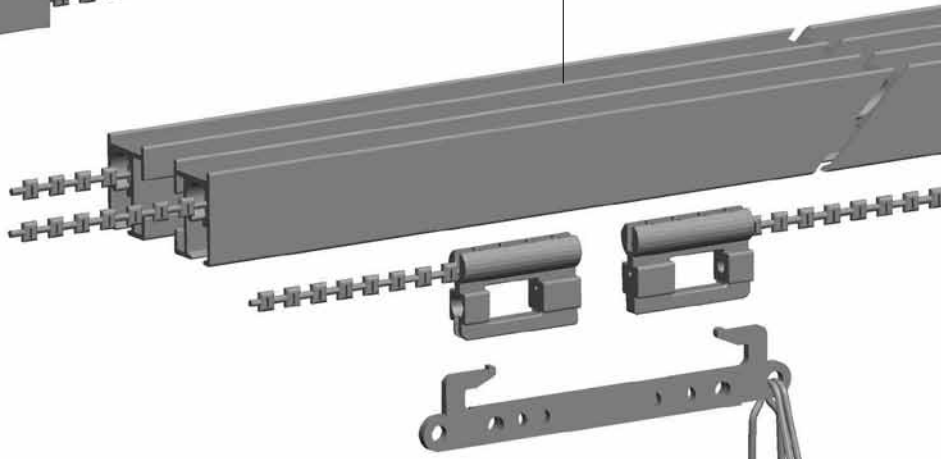
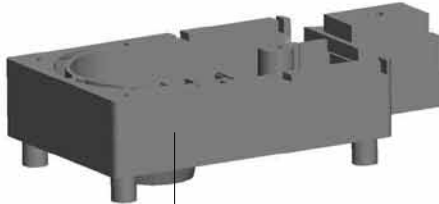
# [TRACK SYSTEMS]

## ELEGANCE: Single Motor Operation

When using the softtouch motor, a slight pull on the curtain activates the motor and opens or closes the curtain automatically. Perfect for simple curtain systems without the need for elaborate controls.



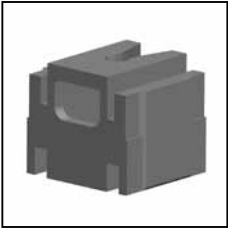
**3135 3-**  
Track, straight



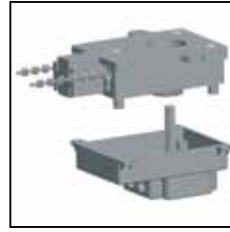
**3135 933-**  
Return Pulley



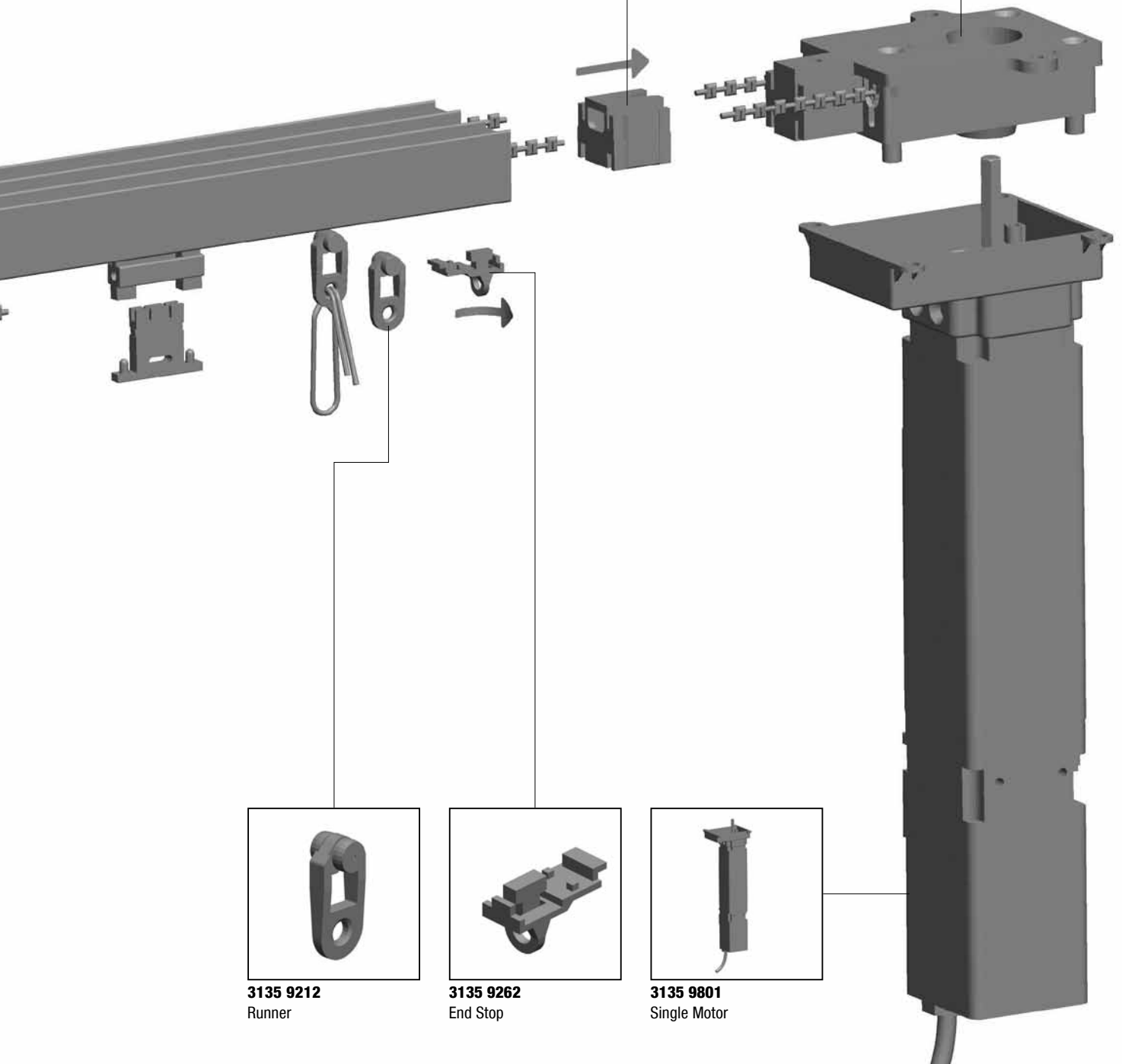
**3135 9914**  
Curtain Hook



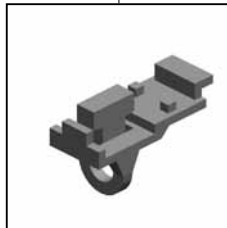
**3135 961-**  
Ceiling Mounting Plate



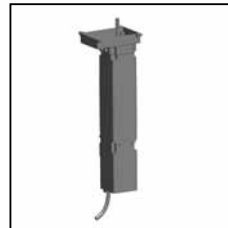
**3135 932-**  
Head Pulley



**3135 9212**  
Runner



**3135 9262**  
End Stop



**3135 9801**  
Single Motor



## Gerriets GmbH

### Description

- Translucent curtains for various Gerriets offices which serve as a design element while creating an acoustically optimized and modern atmosphere.
- Manufacture and installation of various two-tone curtain systems made from ABSORBER LIGHT in anthracite and grey silver.
- Installed on an ELEGANCE walk along track system.

### Client

Gerriets GmbH

### Location

Umkirch / Germany







//Photo: FRICTION-DRIVE for TRUMPF 95 track system

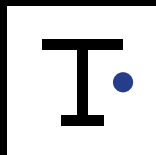
[TRACK SYSTEMS]

## MOTOR AND CONTROL SYSTEMS

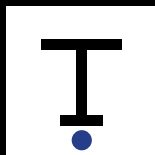
From simple hand operation to the elegant FRICTION-DRIVE, our various technical solutions enable simple operation of a wide range of curtain systems, without having to manually push the curtain itself aside.

Gerriets utilizes both classic theatrical curtain rigging along with new technologies and have established themselves as experts in alternative drives systems used in theatres and opera houses worldwide.

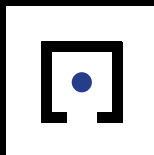
### Types of Cord Operation



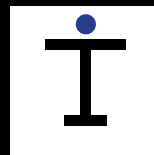
Side Cord  
Operation



Bottom Cord  
Operation



Inboard Cord  
Operation



Top Cord  
Operation

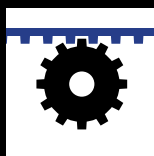
### Motors



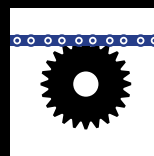
TRAC-DRIVE



FRICTION-  
DRIVE



Tooth Belt



Chain Drive

## [TRACK SYSTEMS]

### Operation: Manual



#### Floor Pulley

Floor pulley used to divert the rope from track to floor and back to track again. Manually tensioned.



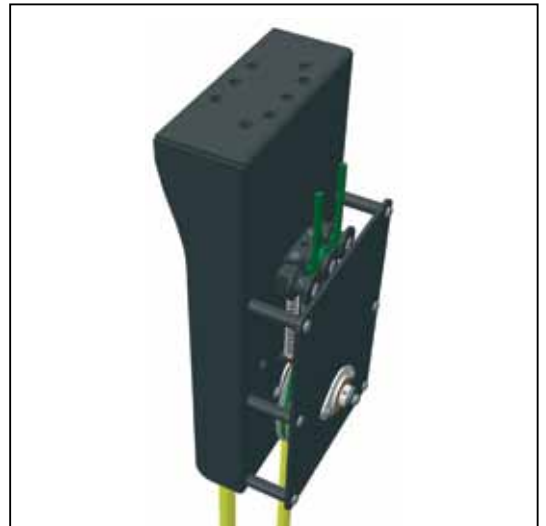
#### HAND-DRIVE

Works like the floor pulley, but operated with a hand crank mounted to the wall. Automatic tensioning.



#### Hemp Rope Adapter Pulley

Continuous loop pulley used to move the curtain via 22 mm (0.86") hemp rope. Power transmission between pull rope and operating line takes place on track level at the end of the track.



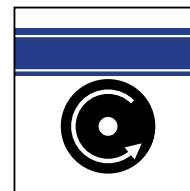
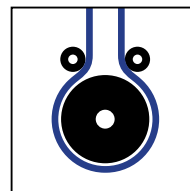




//Photo: Manual Operation Hemp Rope Adapter Pulley

## [TRACK SYSTEMS]

### Operation: Motorized



#### TRAC-DRIVE

A continuous loop track mounted motor with either 2 or 3 grooved pulleys (depending on curtain weight and speed) available with fixed or variable speed motors.

For use on track systems:

TRUMPF 95 // JOKER 95 // CARGO // KING

Curtain track options:



Side Cord Operation



Top Cord Operation



Bottom Cord Operation



#### Technical Data

TRAC-DRIVE Motor	TD 12	TD 20	TD 30
Weight	16,490 g (36 lbs)	14,500 g (32 lbs)	23,680 g (52 lbs)
Duty Cycle	40 %	15 %	40 %
Pull Speed and Load Capacity	30 cm/s (12 in/s) - 450 N 60 cm/s (24 in/s) - 400 N 120 cm/s (47 in/s) - 200 N	22 cm/s (8.7 in/s) - 450 N	25 cm/s (10 in/s) - 1,000 N 50 cm/s (20 in/s) - 800 N 100 cm/s (39 in/s) - 600 N

#### FRICION-DRIVE

With the FRICTION-DRIVE curtain sections move without the use of ropes or pulleys. The motor moves silently along the track and receives its power from a trailing festoon cable or from integrated, track mounted conductor rails. Curtains/scenery are directly attached to motor and are "pushed" and "pulled" along track. This allows long, complex track configurations, including endless loops. The motor is either fixed or variable speed.

Curtain track options:

TRUMPF 95 // STUDIO / E // JOKER 95 // CARGO

Curtain track options:



Walk Along Track



#### Technical Data

Weight	7,800 g (17 lbs)
Duty Cycle	100 %
Pull Speed and Load Capacity	10 cm/s (4 in/s) - 350 N 25 cm/s (10 in/s) - 150 N 30 cm/s (12 in/s) - 100 N

# [TRACK SYSTEMS]

## Control Systems

### G-FRAME 28 Control Cabinet, Fixed Speed

For fixed speed with OPEN / STOP / CLOSE functions. For direct cabling. Compact stackable housing for wall mounting. Dimensions (W x H x D): 444 x 220 x 290 mm.



### G-FRAME 54 Control System

G-FRAME 54 control system is designed for fixed and variable speed applications. Very sturdy but lightweight, perfect for touring. The innovative chassis design allows 3 different installation options:

Accessories:

Wall bracket (in combination with Half-Coupler also suitable for truss installations).

Control System Features:

- By turning the chassis 90°, the controller can be used in a wall mount configuration via the supplied wall mount bracket.
- The cabinet's design allows stacking of the control cabinets with no fear of thermal overload.
- The cabinet's design protects XLR plugs from being disengaged.
- Recessed buttons prevents accidental activation of the system.
- Durable and lightweight 1.5 mm Aluminium frame.
- Stand-off housing profile on all sides of the control unit aides a variety of operational features.

Options for control system:

- Intermediate stop positions.
- Remote location panel.
- Handheld wireless radio control.
- DMX.
- External/automation control functionality.



1



2



3

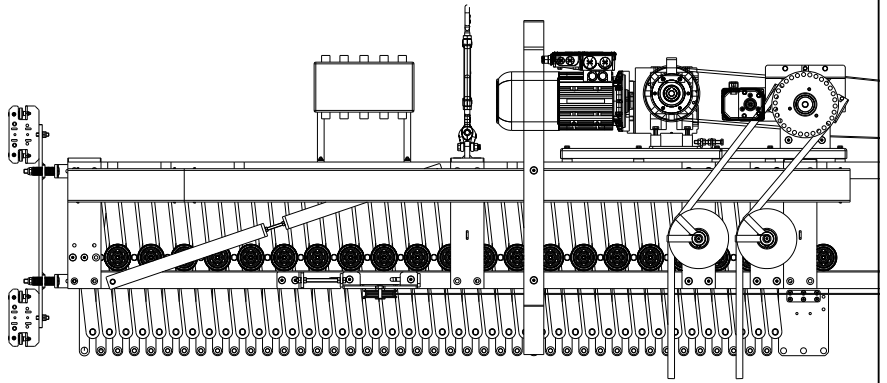
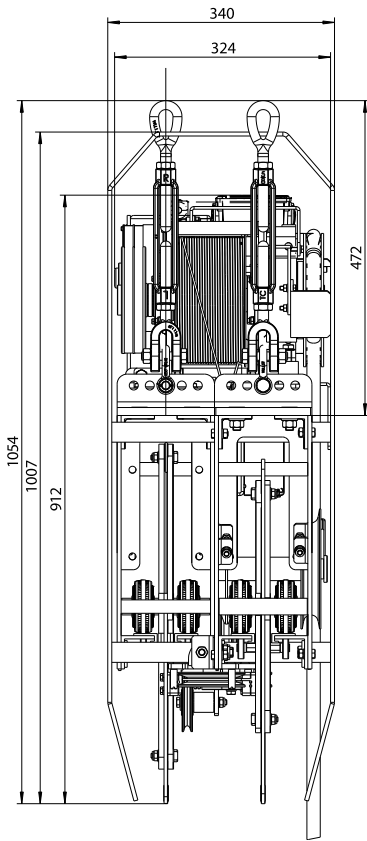
- 1 Horizontal mounting for stand alone applications.
- 2 Vertical mounting for wall mount applications.
- 3 19" standard rack mount.

### G-FRAME DT Remote Location Panel (Variable Speed)

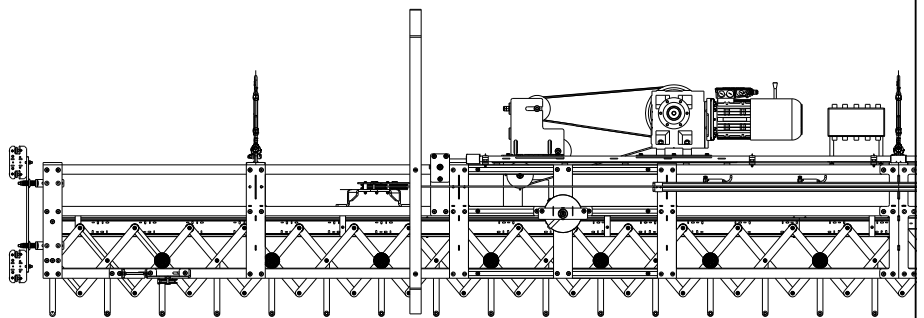
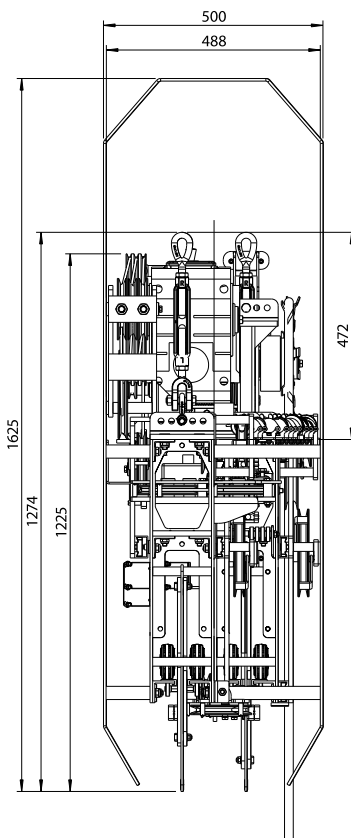
For direct cabling. Compact housing for wall mounting. Dimensions (W x H x D): 337 x 125 x 175 mm.



Actual product may vary slightly from photograph.



FENCE with Traveler Curtain



FENCE with Traveler Curtain and Tab Curtain

All dimensions in mm

# **[SCISSOR TRACK SYSTEM FENCE]**

## **3 in 1 Curtain Operation for Grand Theatre!**

In the last decade over 100 Scissor Track Systems were installed in theatres and opera houses worldwide.

The Scissor Track System's modular design works for Tab and Traveler curtains. It can be used as a guillotine curtain as well with a stable, quiet running side guided track adapted into the existing fly system.

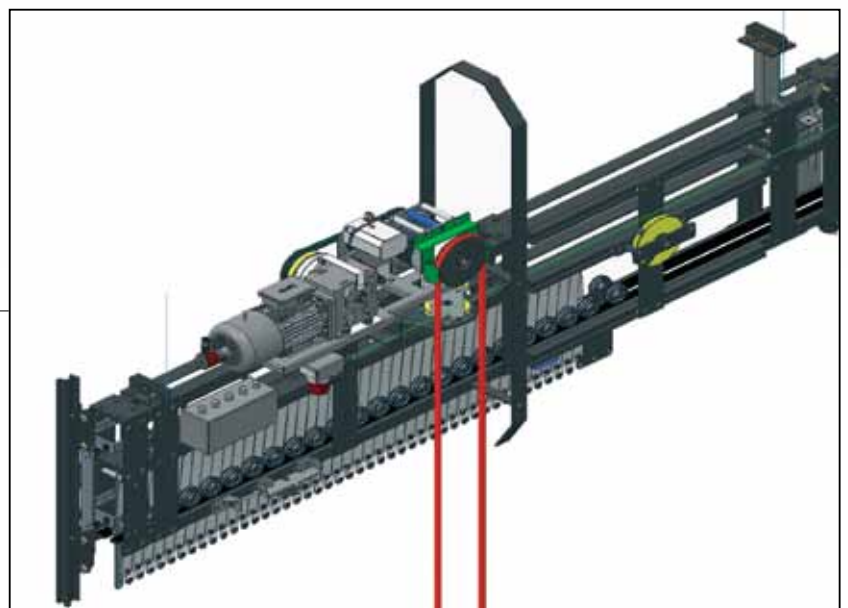
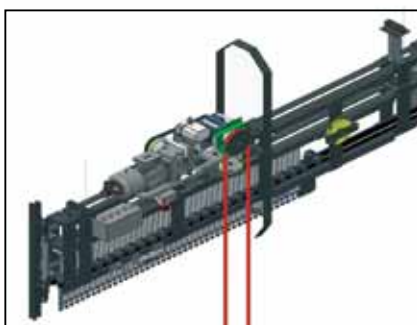
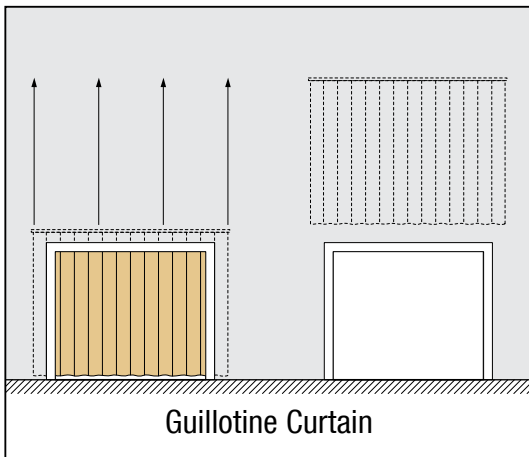
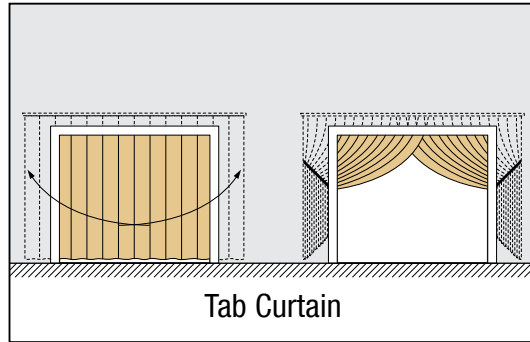
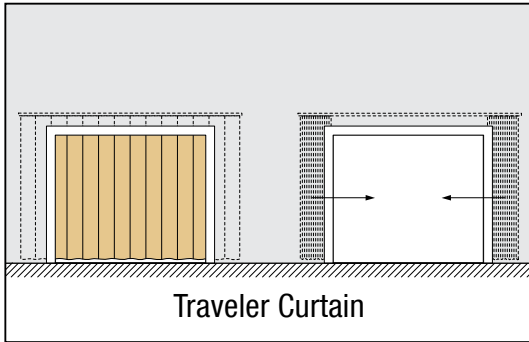
With FENCE the curtain stays in its intended even fullness both during opening and closing operation.

We manufacture customized FENCE systems for use with curtains and draperies made from our vast selection of curtain fabrics.

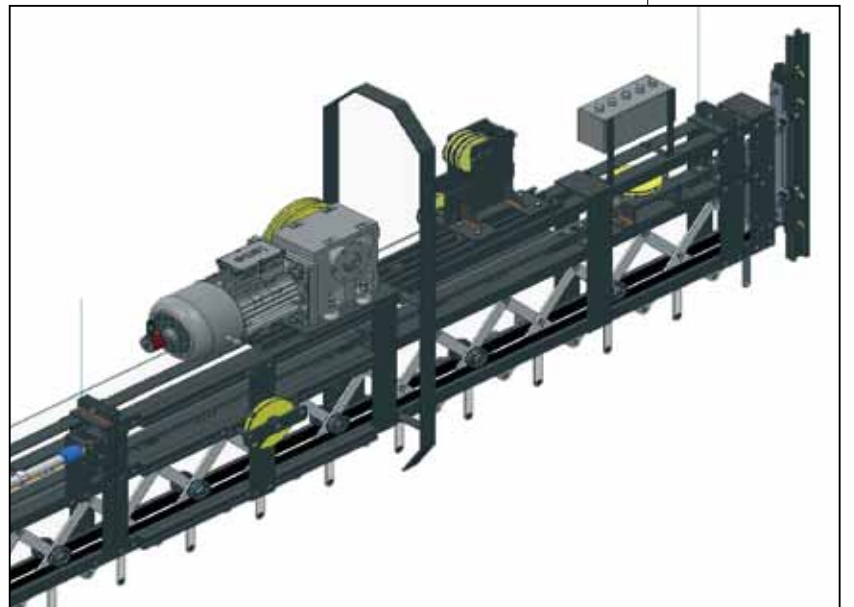


# [SCISSOR TRACK SYSTEM FENCE]

FENCE is a heavy-duty piece of stage machinery that makes it possible to move large, heavyweight curtains in three different opening styles: Traveler, Tab and Guillotine style.



Scissor Track System in Traveler style with integrated emergency manual operation system and side operation



Scissor Track System in Tab style and side operation



Scissor Track System FENCE overlap

# Konzerttheater Bern

## Description

- Manufacture and installation of a FENCE Scissor Track System which contains a divided two-way scissor made of high precision angle steel; each scissor section includes a bracket to suspend the curtain.
- Track size of 2.00 x 7.75 m (6'6" x 24'4") with a total weight of approximately 900 kg.
- Complete bi-part traveler curtain system; when the control system is disconnected, manual operation is possible.
- Manufacture and installation of a bi-part main curtain made from ALICANTE CS stage velvet in a custom dyed red.
- Manufacture and installation of a bi-part lining curtain made from SATIN CS drapery fabric in black.

## Contractor

Hochbau Stadt Bern

## Client

Konzerttheater Bern

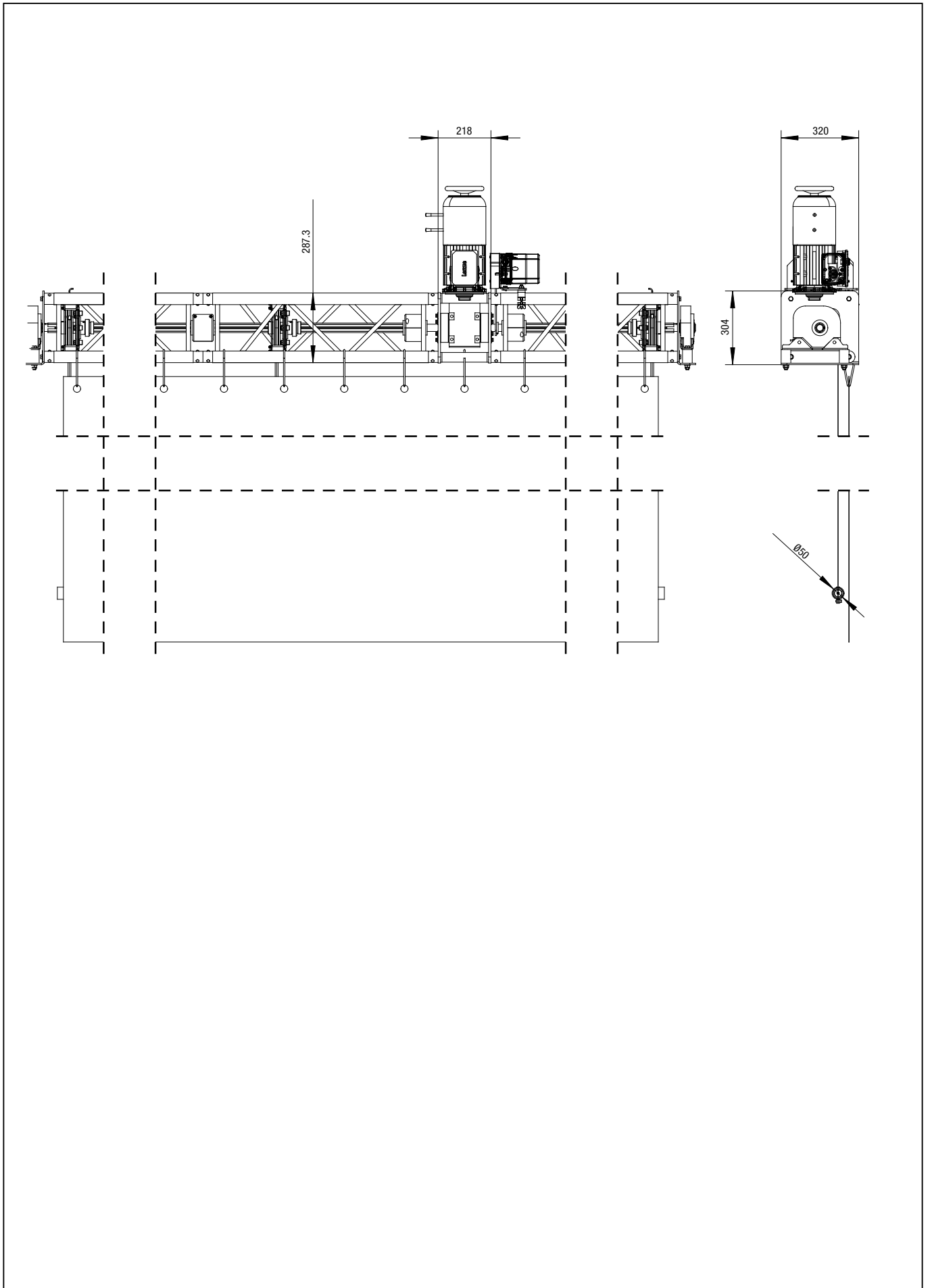
## Location

Bern / Switzerland









All dimensions in mm



# [FESTOON SYSTEM STRATUS]

## **Vertical Curtain Lift with Minimal Space Requirements!**

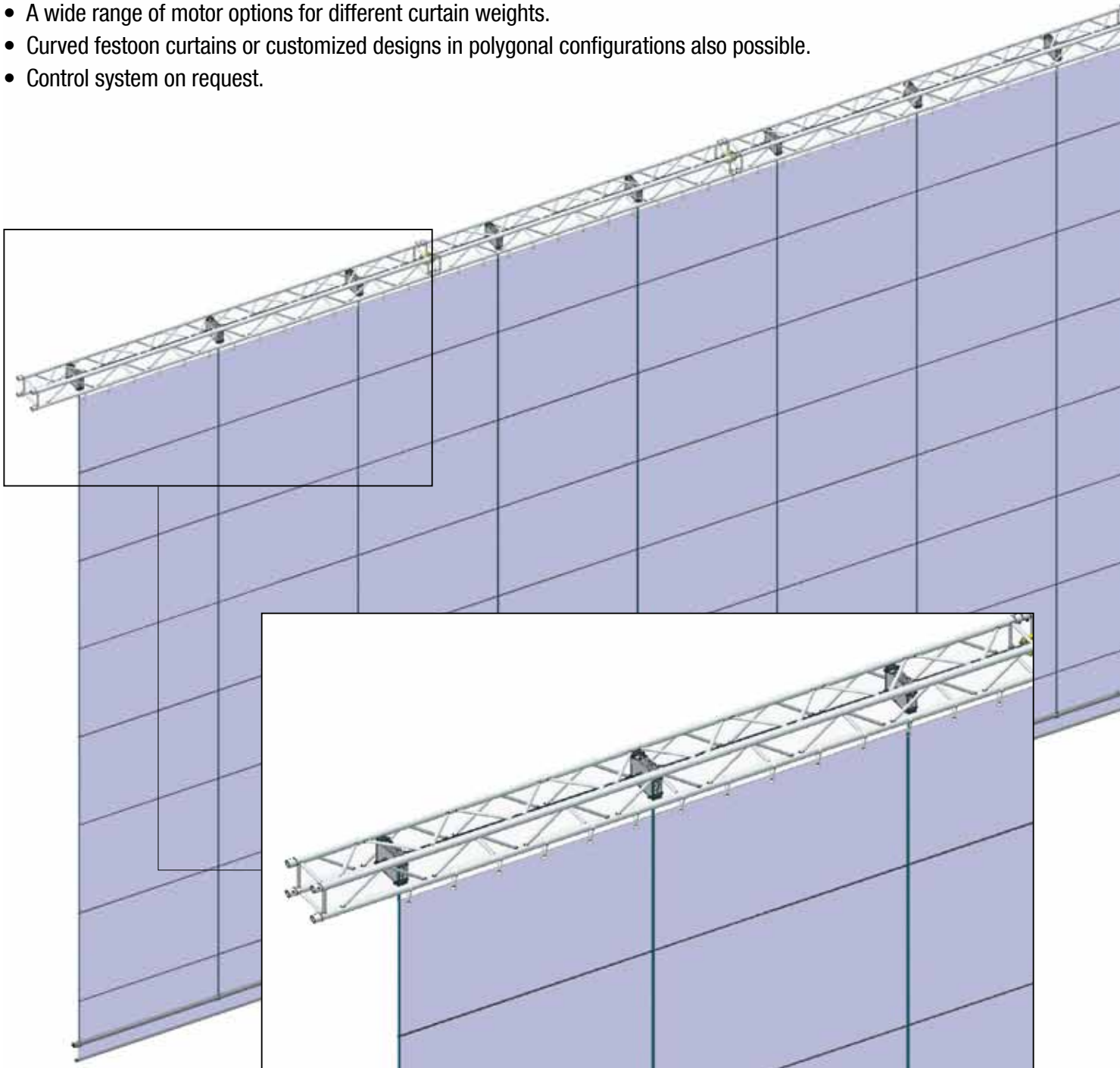
STRATUS is a motor-operated curtain system for vertically lifting curtains. Perfect for lifting main curtains, design curtains, stage maskings or even used for room dividers.

The system is available in different assemblies and vertical opening styles such as flat or waterfall style curtains.

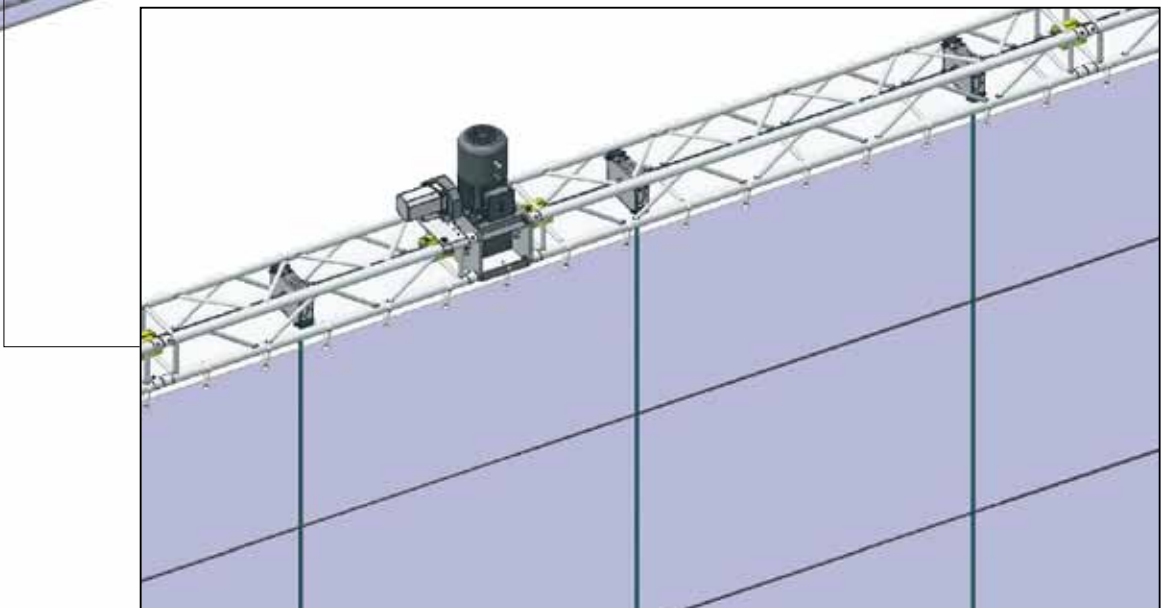
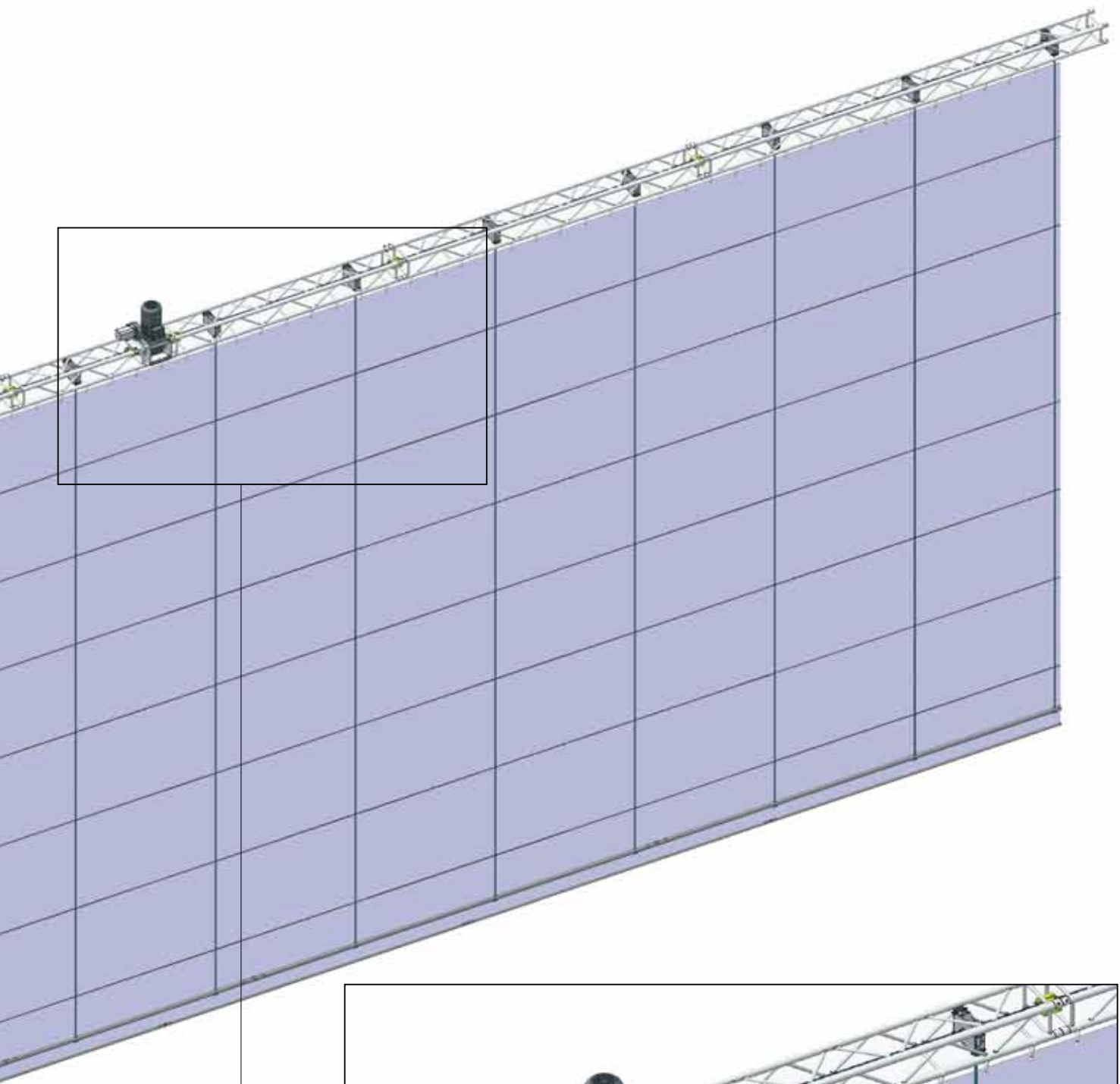
# [FESTOON SYSTEM STRATUS]

## Features

- Due to the box truss system, wide spans can be supported with a minimal amount of hanging points are required.
- Includes a self contained motor with horizontally adjustable pick-up spools.
- Pile points can be adjusted to allow for different fabric widths.
- Flame retardant stainless-steel pick-up bands 12 x 0.5 mm (0.47" x 0.01") with rounded edges ensure a high load capacity, very silent travel, and uniform "pile on" and "pile off" operation, as well as quick and easy curtain-height adjustment.
- Working height up to 25 m (82'0").
- A wide range of motor options for different curtain weights.
- Curved festoon curtains or customized designs in polygonal configurations also possible.
- Control system on request.



Festoon System STRATUS detail left side



Festoon System STRATUS middle detail

## **GOP-Variété Theater**

### **Description**

- Manufacture and installation of Festoon System STRATUS.
- Contour curtain with 12 individual programmable lift lines.

### **Client**

ASM Steuerungstechnik

### **Location**

Bad Oeynhausen / Germany

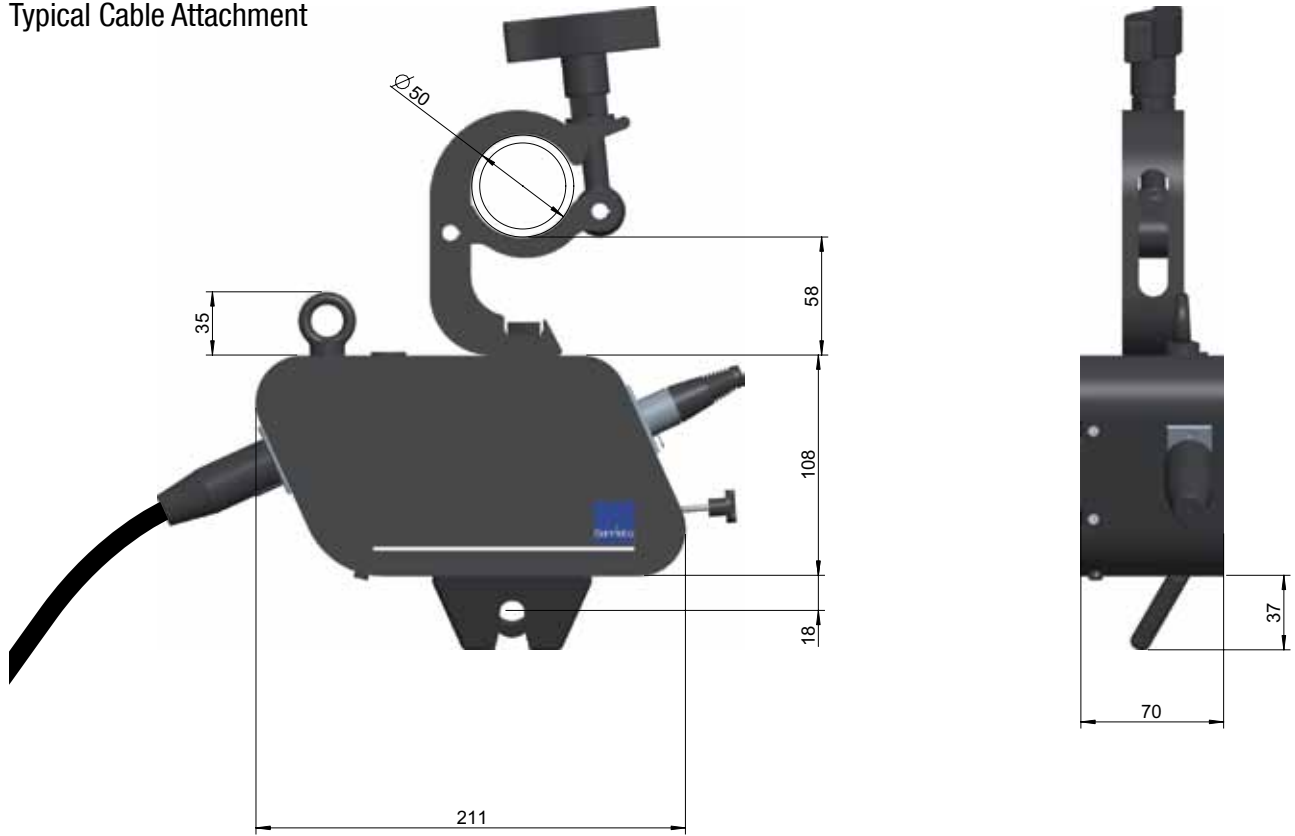




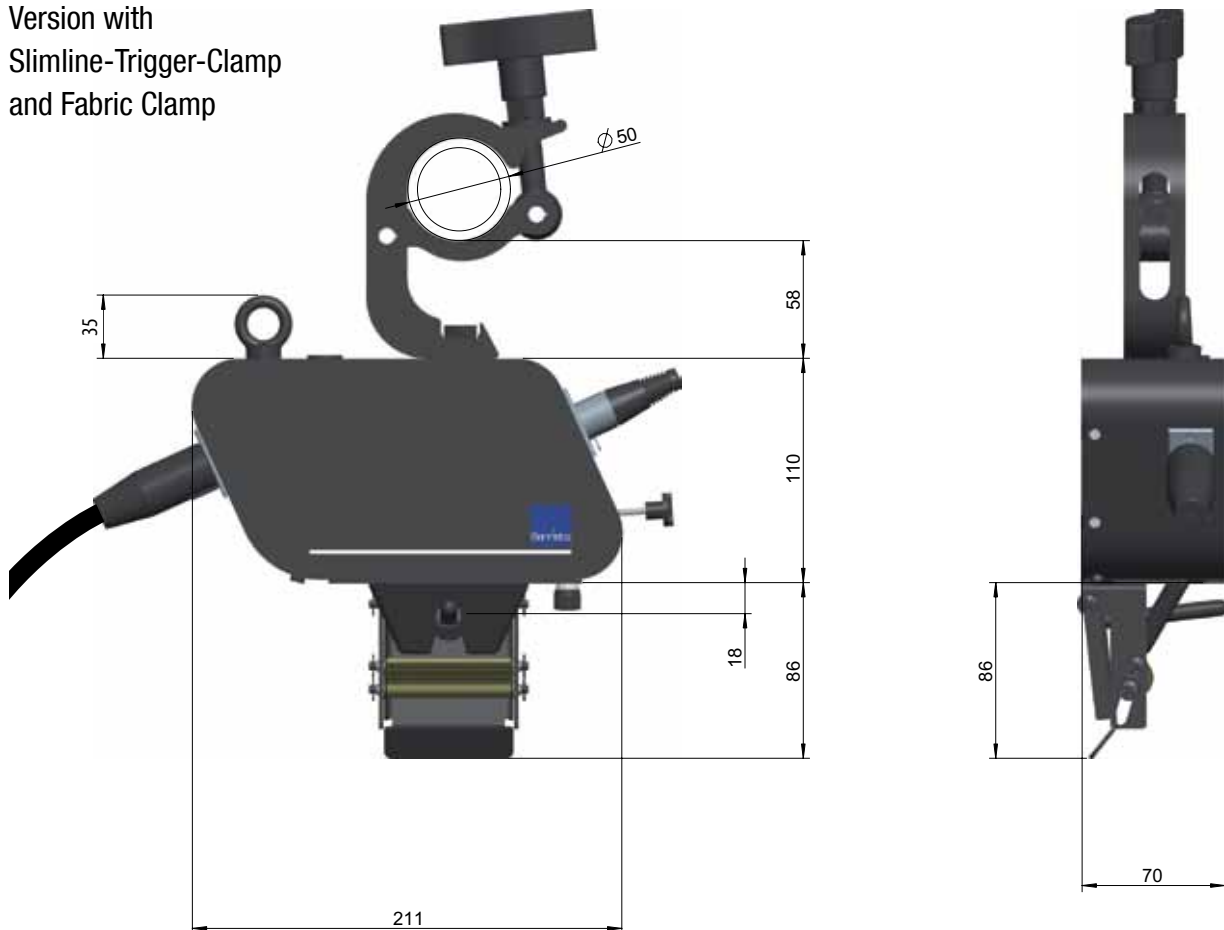




### Typical Cable Attachment



### Version with Slimline-Trigger-Clamp and Fabric Clamp



All dimensions in mm

# **[CURTAIN DROP SYSTEM KABUKI G2 LED]**

## **Reveals at the Touch of a Button!**

The Gerriets KABUKI G2 drop system allows for a safe simultaneous curtain drop in mere seconds.

The electronically controlled and extremely quick KABUKI G2 system allows load ratings up to 50 kg per release unit. That means 100 % higher load ratings than previous systems.

# [CURTAIN DROP SYSTEM KABUKI G2 LED]

## Components of the system

- Release unit.
- G-FRAME 54 KABUKI G2 control system.
- Special Control cable with XLR connector.
- Fabric clamp.

## Features

- Quick and easy installation.
- Caribeners, shackles and even zip ties can be used to attach the curtain to the release unit. Piping can also be sewn into the hem of the drape to hook into the mechanism.
- Attachment of tensioned materials also possible.
- Release units can be moved individually so there is no need to reposition the eyelets on existing curtains.
- An ideal choice for touring productions.
- Quick and easy adjustment with optional fabric clamps.

## Security features

- 'Double check' function: LED Indicators, placed discretely on the bottom of the units, turn green when the system is properly set up.
- Fail Safe, In case of power failure, release units remain locked to avoid an accidental release of the system.
- Secure lock in de-energized state without battery or UPS power.



1



2



3

Images

1 KABUKI G2 release unit.

Attachment possibilities:

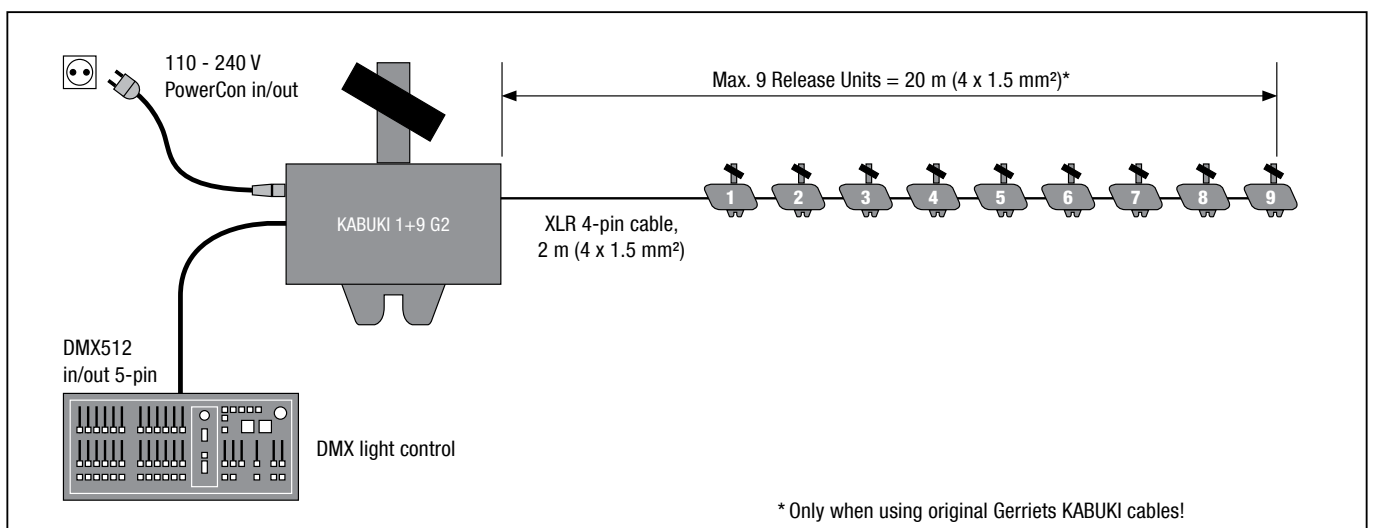
2 With small diameter flexible tube.

3 With optional fabric clamps.

## KABUKI 1+9 G2 DMX

Single DMX Controller/Release Unit to connect up to 9 additional Release Units.

## KABUKI 1+9 G2 Set-up diagram



# [CURTAIN DROP SYSTEM KABUKI G2 LED]

## G-FRAME 54 KABUKI G2 LED Control System

### Technical Data

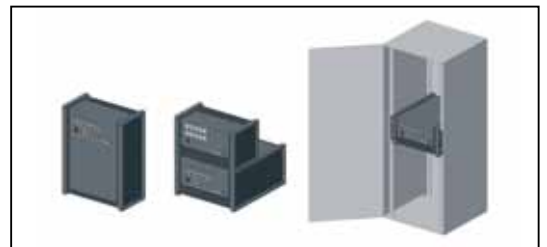
- Available as 30 release unit controller (3 channels x 10 units) or 60 release unit controller (6 channels x 10 units).
- DMX protocol.
- Multiple controllers can be connected.
- Remote trigger button available (optional accessory).
- Releasing of a predefined group of units possible.
- The cabinet's design allows stacking of control cabinets without thermal overload.
- The cabinet's design protects against plugs being disengaged as well as unintended triggering of the system.
- Durable, lightweight 1.5 mm (0.05") Aluminium release unit housing.
- 1 x 230 V / 16 A / 50 Hz (1 x 120 VAC).



1



2

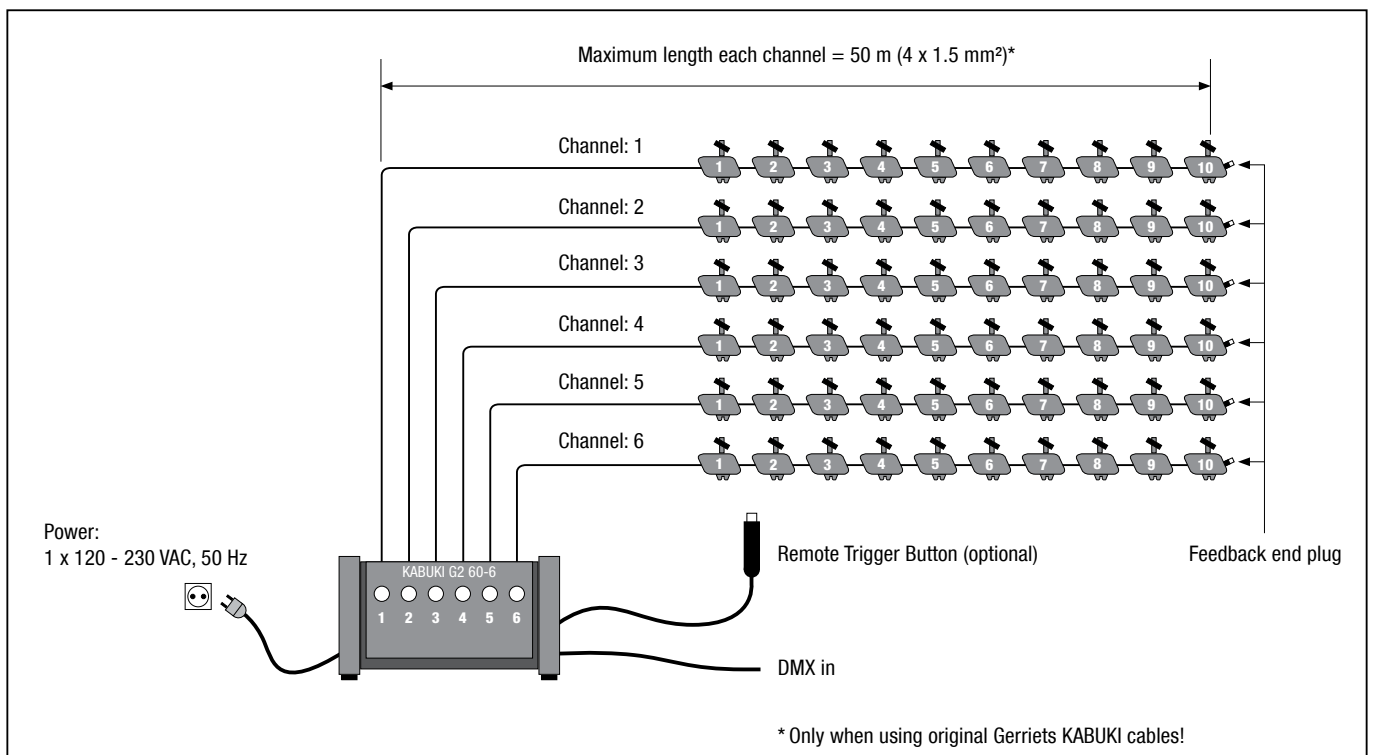


3

Images:

- 1 G-FRAME 54 KABUKI 30/3.
- 2 G-FRAME 54 KABUKI 60/6.
- 3 Installation options of the G-FRAME control system.

## G-FRAME 54 KABUKI 60/6 Set-up diagram



## Panometer Leipzig

### Description

- Reveal a giant panoramic image of the wreck of the Titanic.
- The Asisi panorama was installed using Gerriets JOKER 95 track system in 2012.
- An additional circular track was installed in front of the 111 m (364'2") wide panorama picture equipped with 111 KABUKI G2 units.
- Three 37 m (121'4") by 35 m (114'8") taffeta curtains were used for the reveal of Asisi's latest work.

### Designer

Yadegar Asisi

### Client

Panometer Leipzig

### Location

Leipzig / Germany

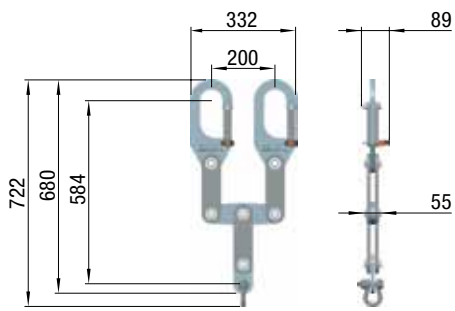




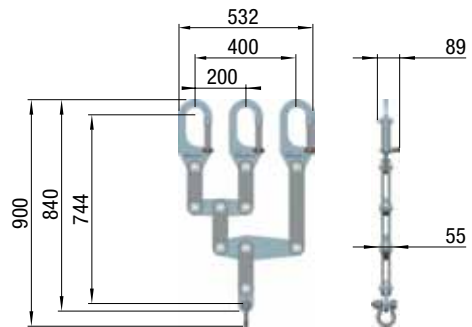


Project video

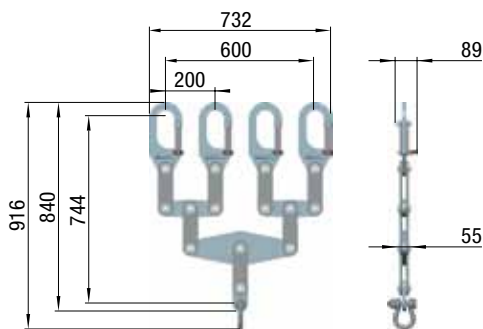




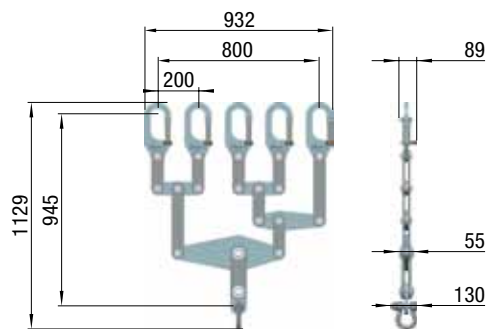
2-Way Batten Clew



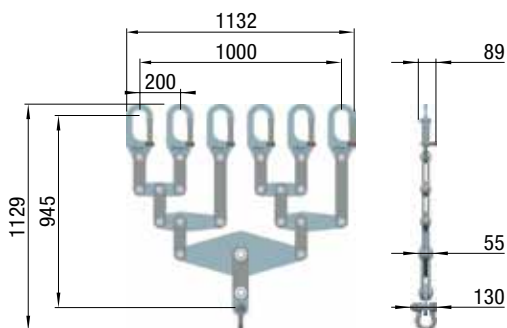
3-Way Batten Clew



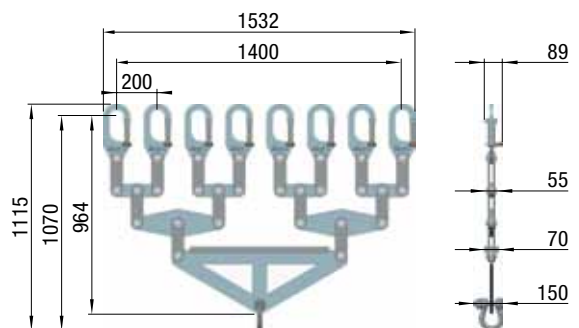
4-Way Batten Clew



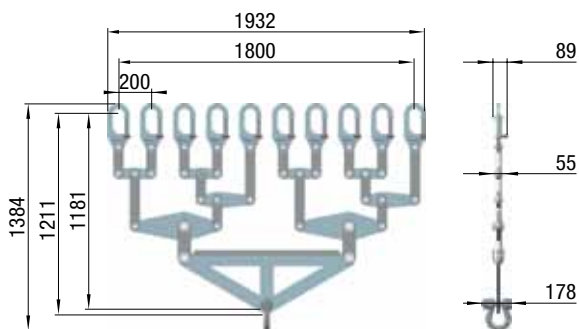
5-Way Batten Clew



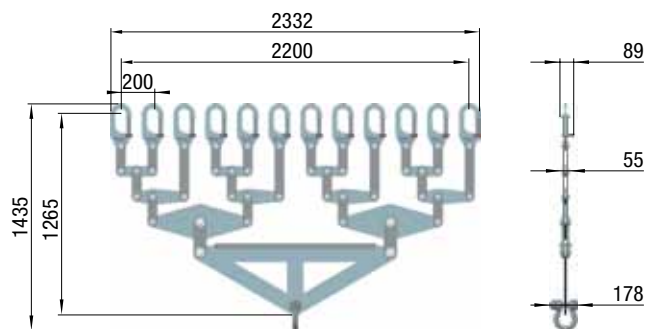
6-Way Batten Clew



8-Way Batten Clew



10-Way Batten Clew



12-Way Batten Clew

All dimensions in mm

# [BATTEN CLEW]

## **Safe and Proven Lifting Device!**

Our Batten Clew is a unique load distribution system for stage battens. It joins together up to 12 battens to carry heavy scenic elements that could not normally be lifted by a single line set or electric winch.

With the Batten Clew the load is optimally distributed even with slight deviations in the positioning of the battens.

Due to the even load distribution, the Safe Working Load can be locally increased up to 12 times.

# [BATTEN CLEW]

## Standard Configurations

- 2-Way Batten Clew – max. load capacity: 1,000 kg (2,200 lbs).
- 3-Way Batten Clew – max. load capacity: 1,500 kg (3,300 lbs).
- 4-Way Batten Clew – max. load capacity: 2,000 kg (4,400 lbs).
- 5-Way Batten Clew – max. load capacity: 2,500 kg (5,500 lbs).
- 6-Way Batten Clew – max. load capacity: 3,000 kg (6,600 lbs).
- 8-Way Batten Clew – max. load capacity: 4,000 kg (8,800 lbs).
- 10-Way Batten Clew – max. load capacity: 5,000 kg (11,000 lbs).
- 12-Way Batten Clew – max. load capacity: 6,000 kg (13,200 lbs).

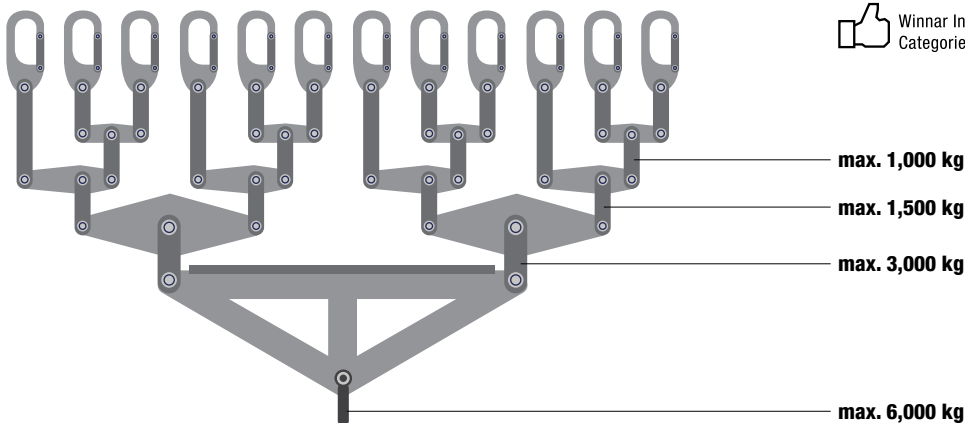
Please note: Load ratings listed above are the maximum allowable loads based on using load rated shackle connections according to DIN 13 889.

## Technical Data

- Safe Working Load per hook when closed and secured: 500 kg (1,100 lbs).
- Hook/Pipe Diameter: 70 mm (2 1/2"), special configurations on request.
- Connection pin diameter: 20 mm (13/16").
- Connection pin diameter for 6-Way Batten Clew and above: 30 mm (1 1/2").
- Pipe batten on-center distance: equal Hook on-center distance.
- Hook on-center distance: 200 mm (8") - standard / 250 mm (10") / 300 mm (12") / 350 mm (14") / 400 mm (16").

## Load Distribution Diagramm

Example load distribution for 12-Way Batten Clew.



**ENGINEERING/RIGGING**  
PRODUCT OF THE YEAR 2013

Winnar InnovatieGalerij CUE 2014  
Categorie 'Podiumtechniek'





//Photo: 4-Way Batten Clew – max. load capacity: 2,000 kg



## Staatsoper im Schillertheater

### Description

- Use of six 6-Way Batten Clew each with a maximum load capacity of 3,000 kg (6,600 lbs.) and on-center between battens distance of 200 mm (8").
- The point load of the scenic elements is distributed over six drawbars via six 6-Way Batten Clews, ensuring an even distribution of the load over a total of 36 hooks.

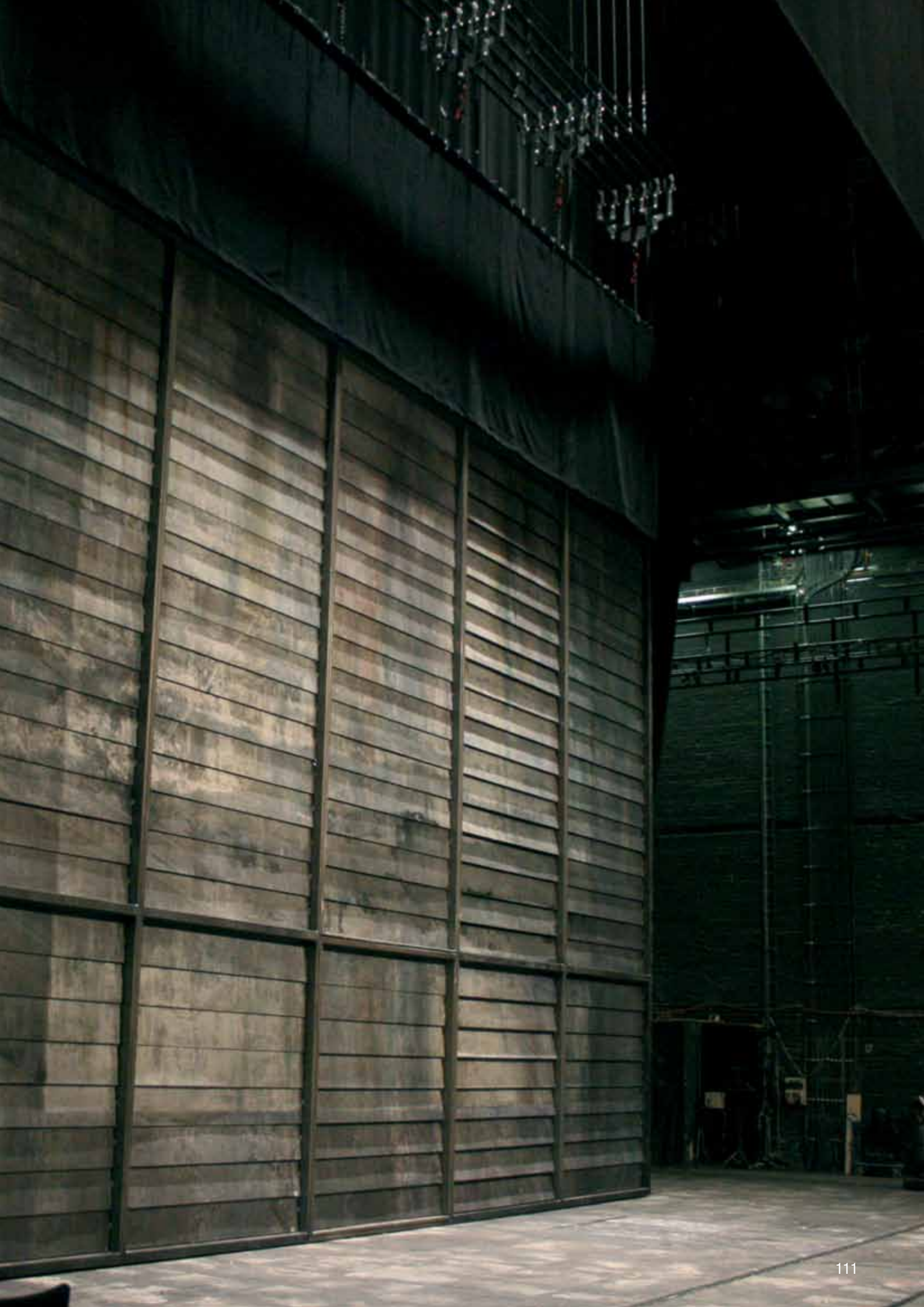
### Client

Staatsoper im Schillertheater

### Location

Berlin / Germany







//Photo: Zinser / Messe Freiburg – Germany / Roller Screen System MEGASCREEN TOUR

# **[ROLLER SCREEN SYSTEMS CARBON]**

## **Lightweight, Fast and Portable Motorized Screens!**

Our roller screen systems CARBON are used for front and rear projection. The systems are the only roller systems that utilize the amazing rigidity, strength, and low density of carbon fiber. These properties make CARBON systems lightweight and uniquely well equipped to handle very large screens with supreme stability and fast roller speeds as well as unmatched low deflection under load.

The applications of our three roller screen systems TUBE, MEGASCREEN TOUR and MEGASCREEN are diverse. These systems are used world wide in permanent installations, touring productions, theatres and concerts, with projection screens, drops or variable acoustic curtains.



SCHINEN  
MACHINES

ZIERUNGEN  
AL SERVICES

RVICE  
CT SUPPORT

RANTIE  
RRANTY  
WARE

TERP

Cat Mo

LLAR

With  
Mixed Products



# TUBE

## Medium and Large Scale Systems!

TUBE is a portable top roller system for medium and large formats with tube lengths up to 12.0 m (39'4") and screen surfaces of up to 9.0 m (29'5") and variable lifting speeds of approx. 0.2 (8"/sec) to approx. 0.9 m/s (35"/sec).

Thanks to the high-quality carbon technology, the systems have a low weight and high rigidity. The systems are perfect for theatres, events, tours, and trade fairs.

Technical Data	
Sizes	up to 11.90 m (39'0")
Speeds	up to approx. 0.90 m/s (35 in/sec)
Installation	Patented coupling device makes installation and disassembly easy. System is easily expandable.

## [ROLLER SCREEN SYSTEM CARBON]

### **TUBE**

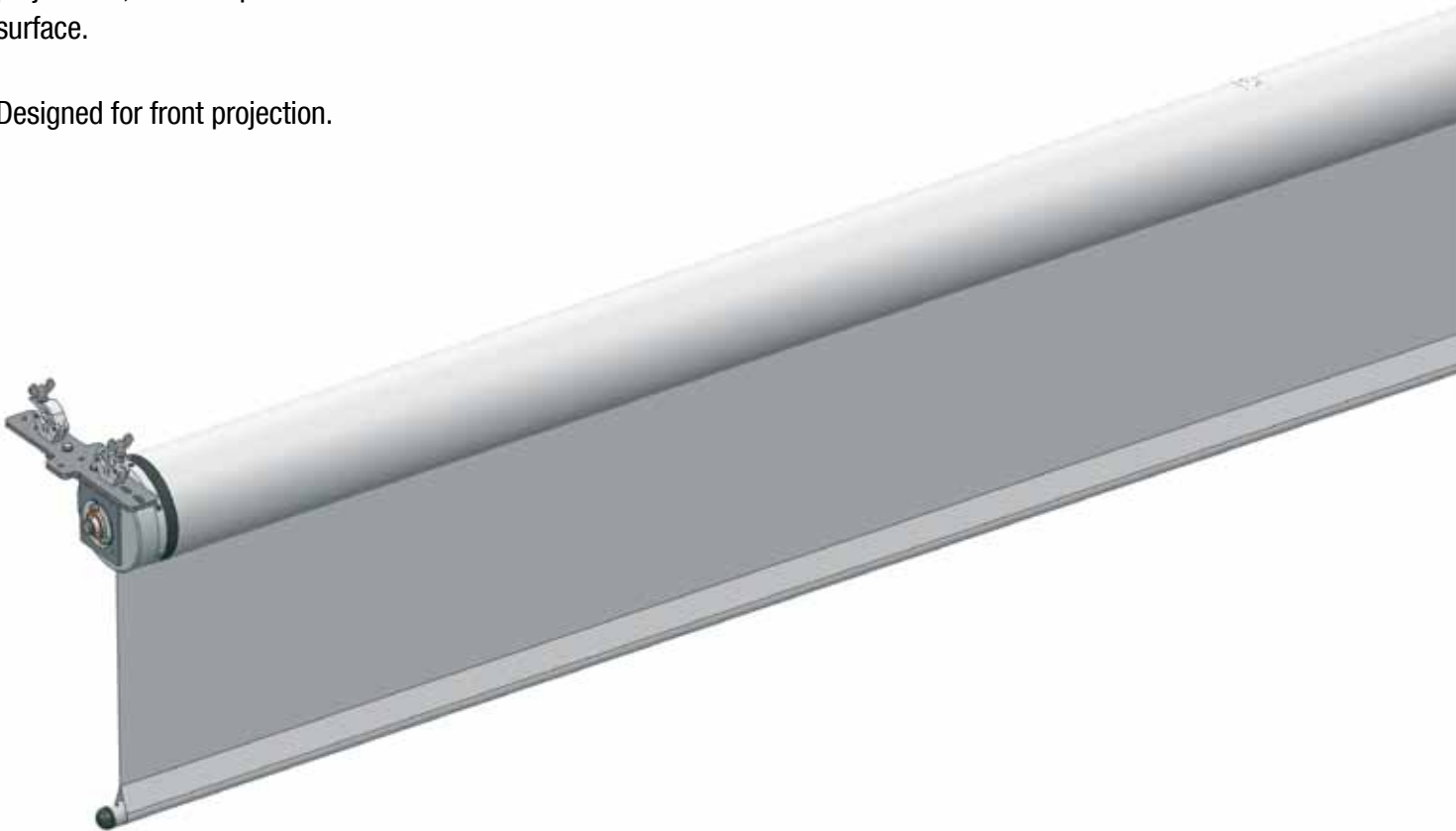
The roller screen system TUBE is designed as a mobile top rolling system for large scale systems with tube lengths up to 12.0 m (39'4") and screen surfaces of up to 9.0 m (29'5"). The winding tube is stationary and the screen rolls down off the tube.

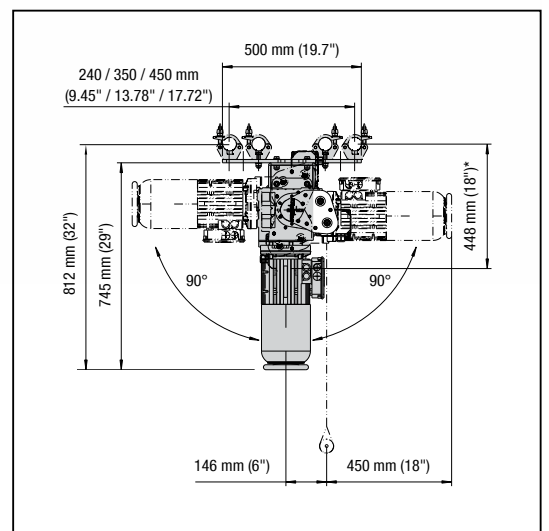
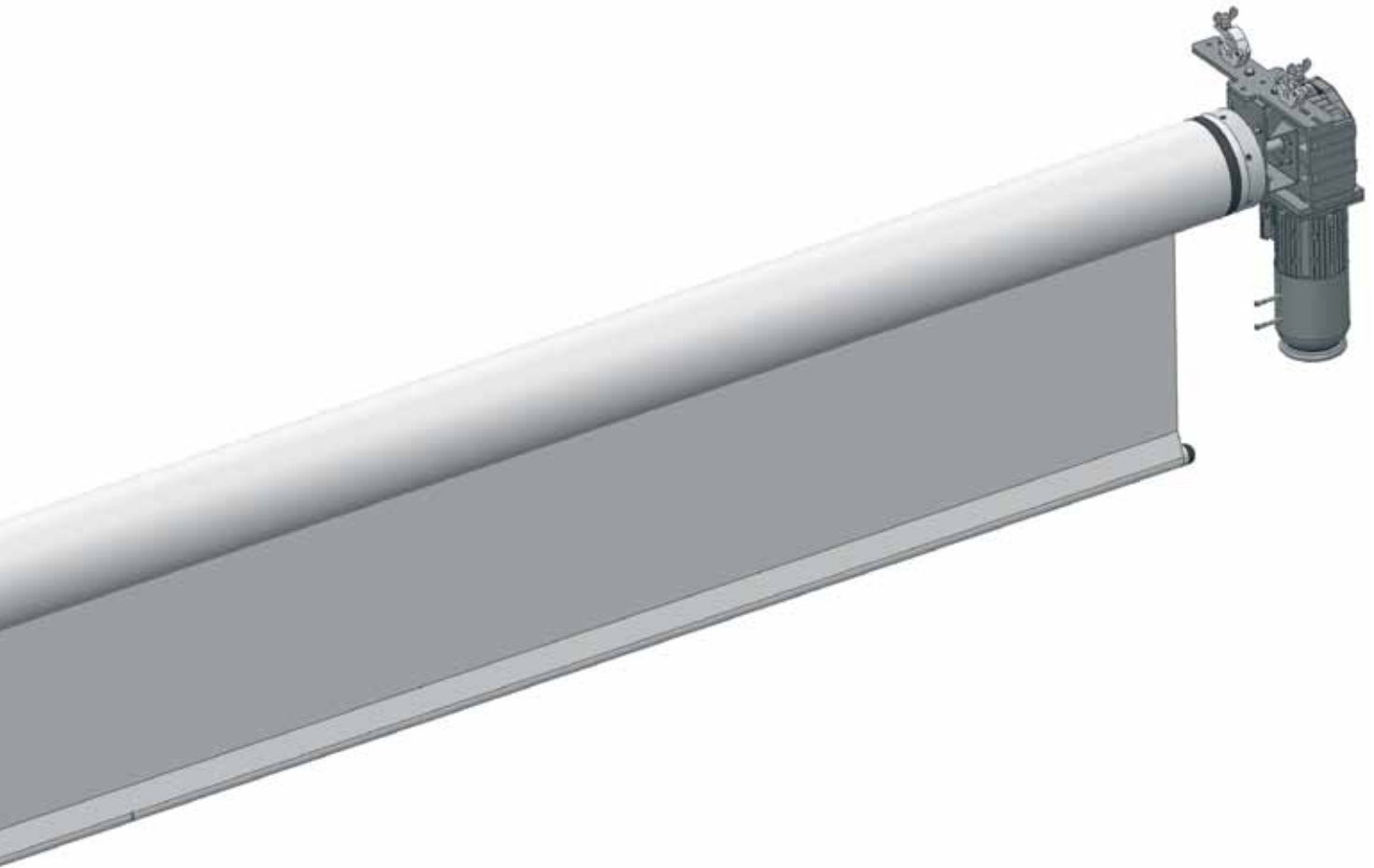
The system can be fitted with up to four half couplers, each with a carrying capacity of 750 kg, for attachment on flybars and battans, or on the chords of 290 mm (12"), 400 mm (16") or 500 mm (20") truss.

For ease of use on stage and when on tour, TUBE can be prerigged in a custom made truss with an open bottom.

For permanent installations we recommend a reinforced projection screen such as our ARCTIC front projection screen. For laser projections, it is also possible to use a sharkstooth as textile screen surface.

Designed for front projection.





Example – Side View of 1,5 kW Motor  
 \* Minimum Mounting Height

## H&M in New York

### Description

- Manufacture and installation of a TUBE Roller Screen System with a total structural width of approximately 8.00 m (26'2").
- The screen is a 7.60 m x 9.15 m (24'9" x 30'0") ARENA 86 semitransparent projection screen.

### Contractor

PRG Scenic Technologies

### Client

H&M

### Location

New York / USA



JIMMY CHOO

FOR H&M

Bag \$99

H&M





//Photo: Second Baptist Church – Houston, TX USA / Roller Screen System MEGASCREEN TOUR

# MEGASCREEN TOUR

## Portable Large Scale Systems!

MEGASCREEN TOUR is unique in terms of mobility, dimension and speed.

The system offers quick setup and disassembly for very large scale systems with tube lengths up to 30.0 m (98'4") and screen surfaces up to 15.0 m (49'2"). Roller speeds as fast as approx. 0.1 (4"/sec) to approx. 0.4 m/s (16"/sec).

Thanks to the combination of innovative winding technology and high-quality carbon technology, the system is perfect for theatre, event and trade fairs. It is also suitable for permanent installation.

Technical Data	
Sizes	up to 29.90 m (98'1")
Speeds	up to approx. 0.40 m/s (16 in/sec)
Installation	Patented coupling device makes installation and disassembly easy.

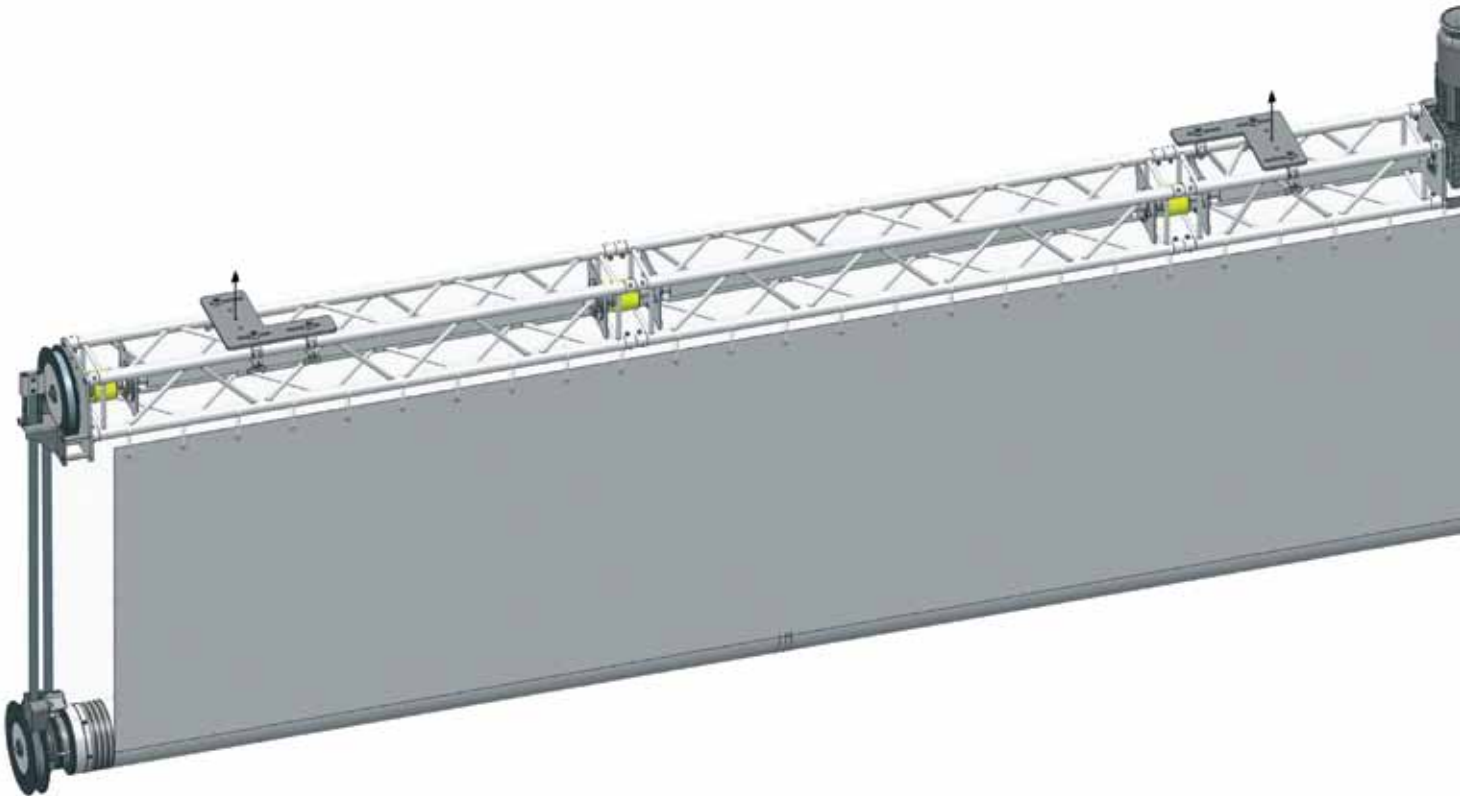
## [ROLLER SCREEN SYSTEM CARBON]

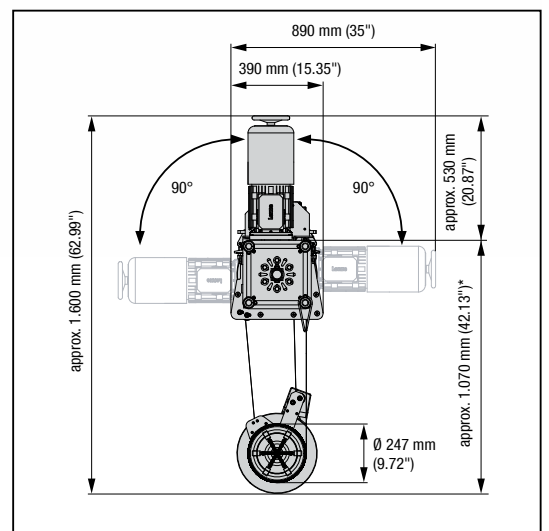
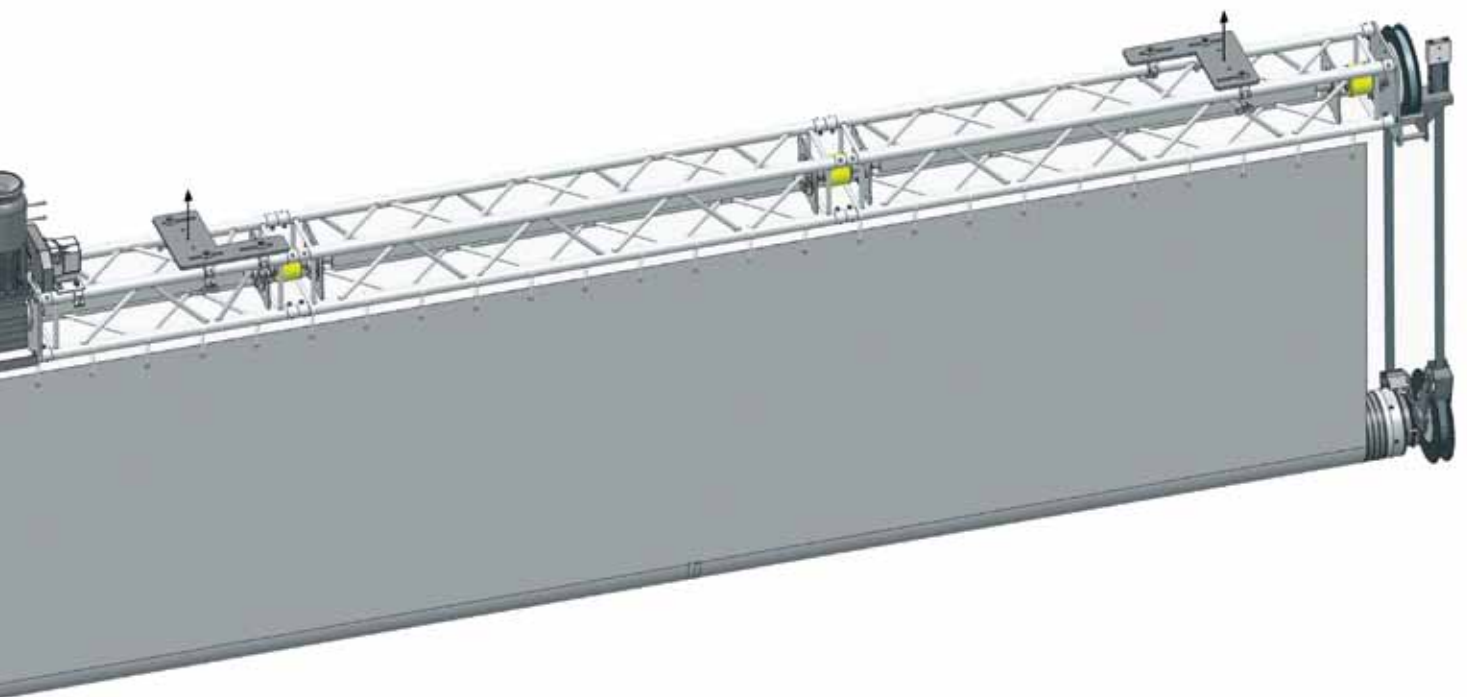
### **MEGASCREEN TOUR**

The systems extreme size of up to 30.0 m (98'4") wide and up to 15.0 m (49'2") high can be achieved by means of the special bottom roller winding mechanism, in which the winding tube itself is let downwards, thus tightening the fabric by the dead weight of the winding tube below.

The diameter of the MEGASCREEN TOUR carbon tube is 247 mm (9.7"). The carbon fiber tube modules, the truss and the rest of the mechanism can be taken apart and reassembled for touring or temporary use but must be suspended from at least four points because the truss is divided by the motor in the centre.

Designed for front and rear projection surfaces.





Example – Side View of 2,2 kW Motor  
 \* Minimum Mounting Height



## Messe Freiburg – Trial installation Kazakhstan

### Description

- Largest MEGASCREEN TOUR roller system ever built by Gerriets; dimensions of the system: 26.0 x 12.0 (85 x 39 ft).
- Screen made from front projection screen SCENE.
- Photo from trial installation in Freiburg, Germany.

### Client

APM

### Location

Almaty / Kazakhstan









//Photo: Scala, Ludwigsburg / Roller Screen System MEGASCREEN

# MEGASCREEN

## Permanently Installed Large Size Systems!

MEGASCREEN is a permanently installed bottom-roller projection screen system for large applications with tube lengths up to 24.0 m (78'7") and screen surfaces of up to 15.0 m (49'2") as well as variable lifting speeds of approx. 0.1 (3.9"/sec) to approx. 0.3 m/s (11.8"/sec).

Due to the modified construction of the carbon tube and a simplified connection of the tube modules, the roller screen system is ideal for permanent installation.

It is recommended that tube sections should be permanently bonded and fastened during installation.

Technical Data	
Sizes	up to 23.90 m (78'4")
Speeds	up to approx. 0.30 m/s (12 in/s)
Installation	For permanent installations.

## [ROLLER SCREEN SYSTEM CARBON]

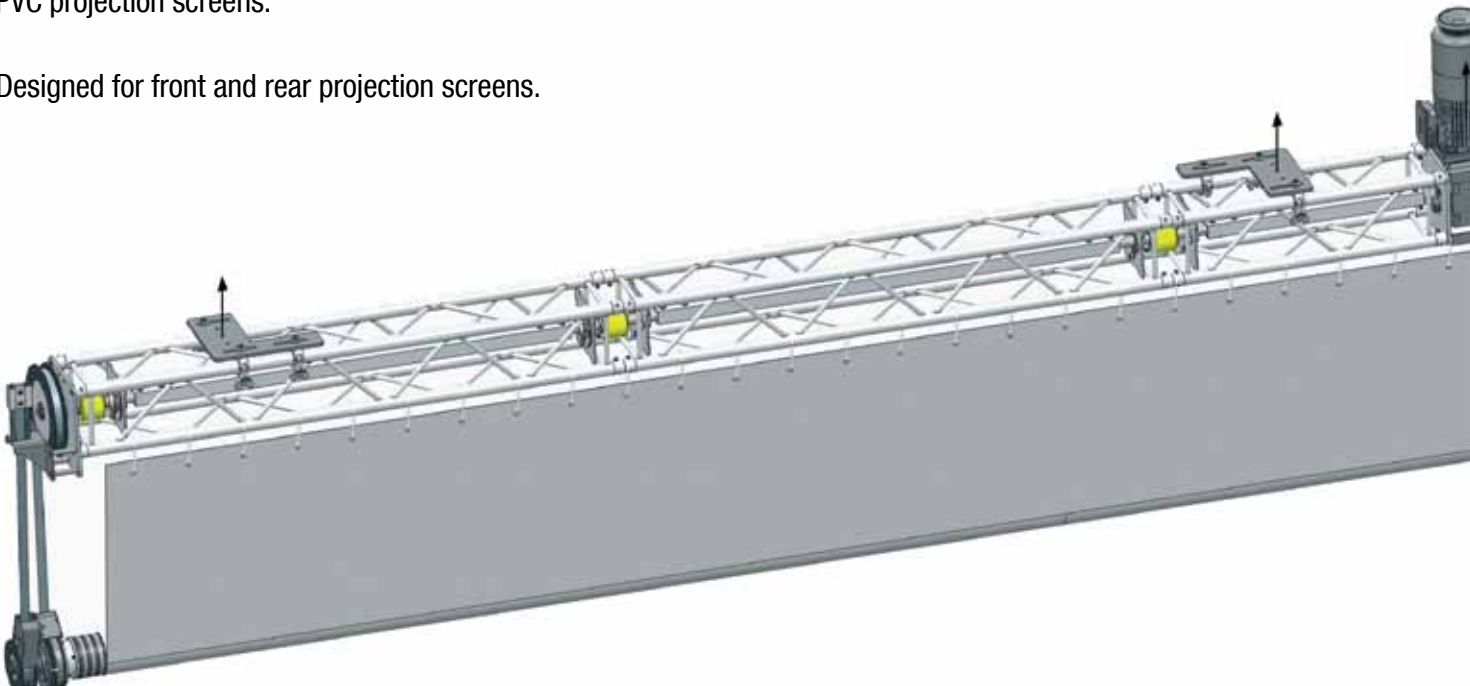
### **MEGASCREEN**

MEGASCREEN systems are designed for permanent installations of large motorized projection surfaces to be used where space is limited for mechanical components.

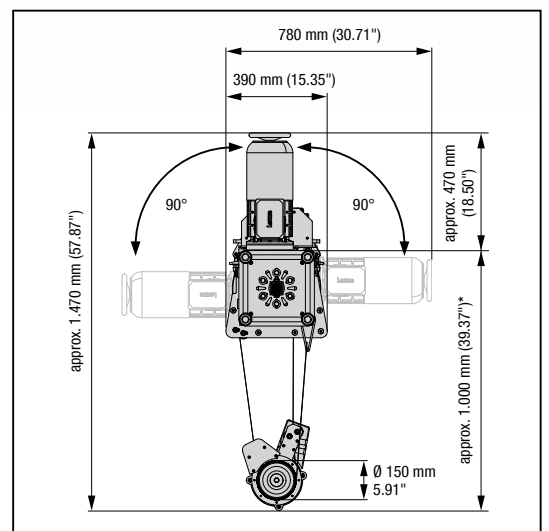
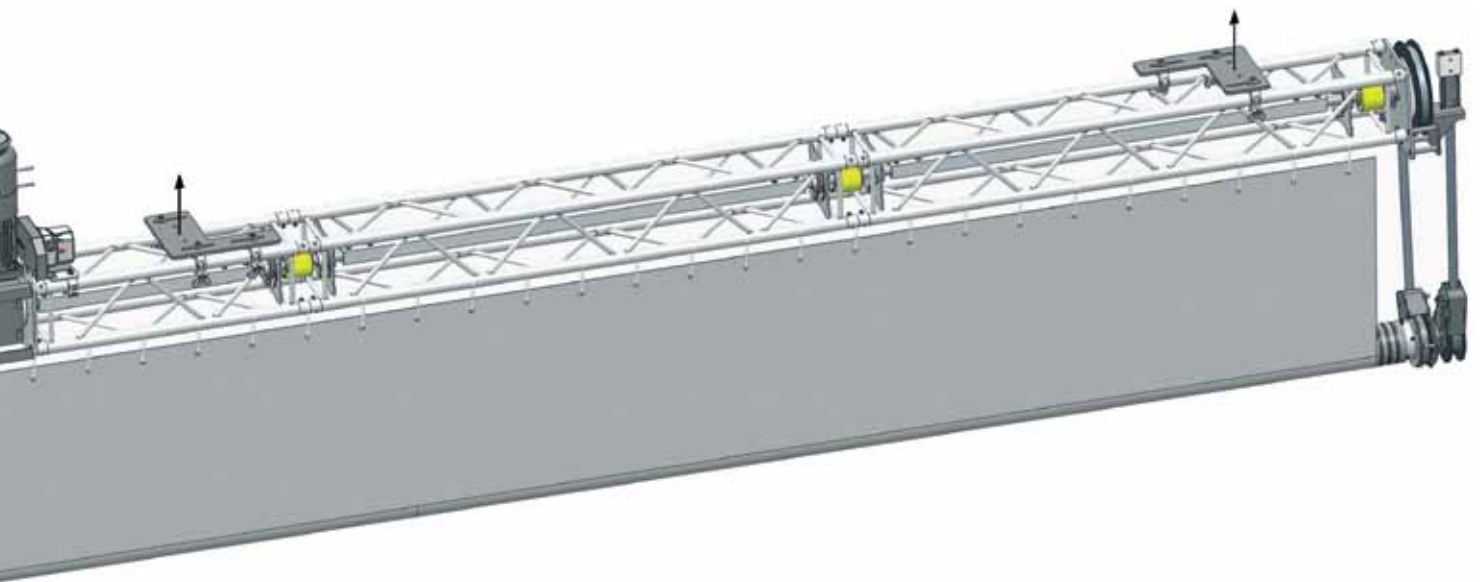
This is modified version of the MEGASCREEN TOUR system. A smaller diameter tube (150 mm / 5.9"), permanent connections, and modified mechanical components give the MEGASCREEN system a small profile that can fit into tight spaces while allowing for spans up to 24.0 m (78'7") and screen surfaces of up to 15.0 m (49'2").

The bottom roller design means the tube is located on the bottom of the screen instead of the top and winds up and down with the screen. This design naturally tensions the screen creating a consistently flat and wrinkle free surface even with non-reinforced PVC projection screens.

Designed for front and rear projection screens.







Example – Side View of 1,5 kW Motor  
 \* Minimum Mounting Height



## VW Konzernforum

### Description

- Manufacture and installation of a Roller Screen System MEGASCREEN with a total structural width of 15.35 m (50'4").
- The screen is a 14.80 x 8.50 m (48'6" x 27'9") front projection screen GAMMALUX®.

### Contractor

Amptown System Company GmbH

### Client

VW Konzernforum

### Location

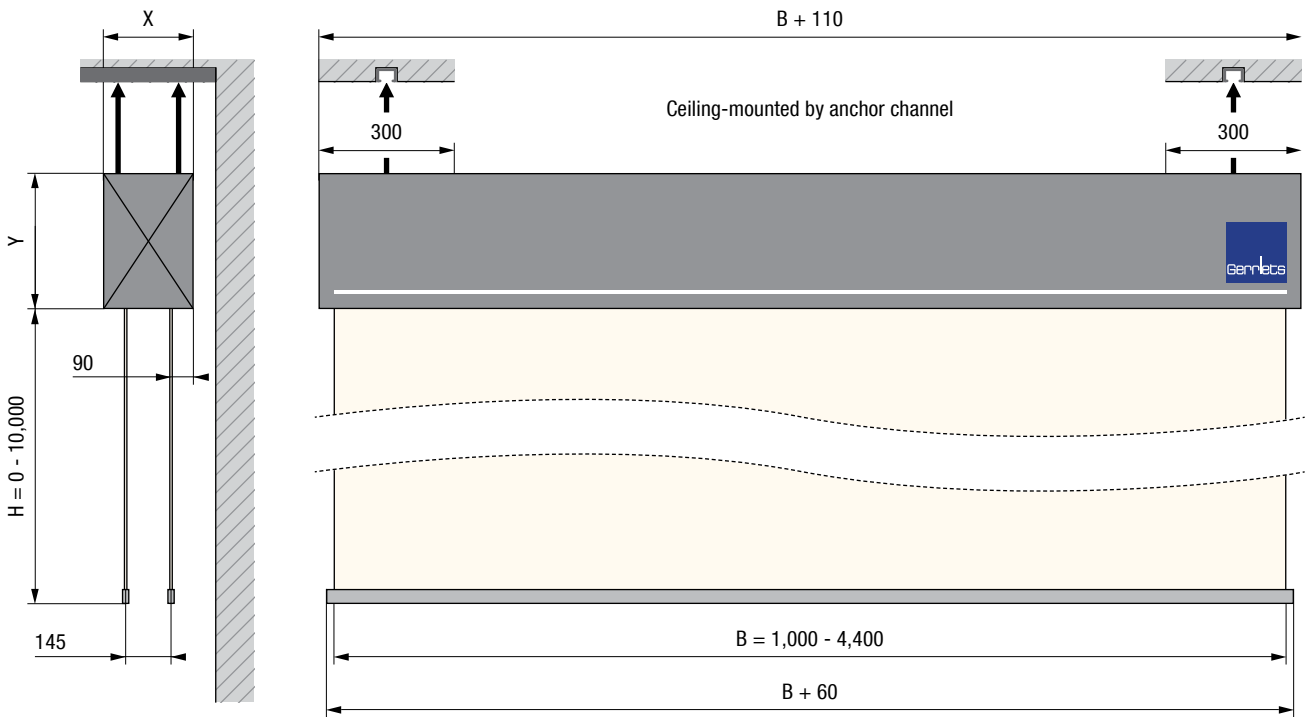
Berlin / Germany



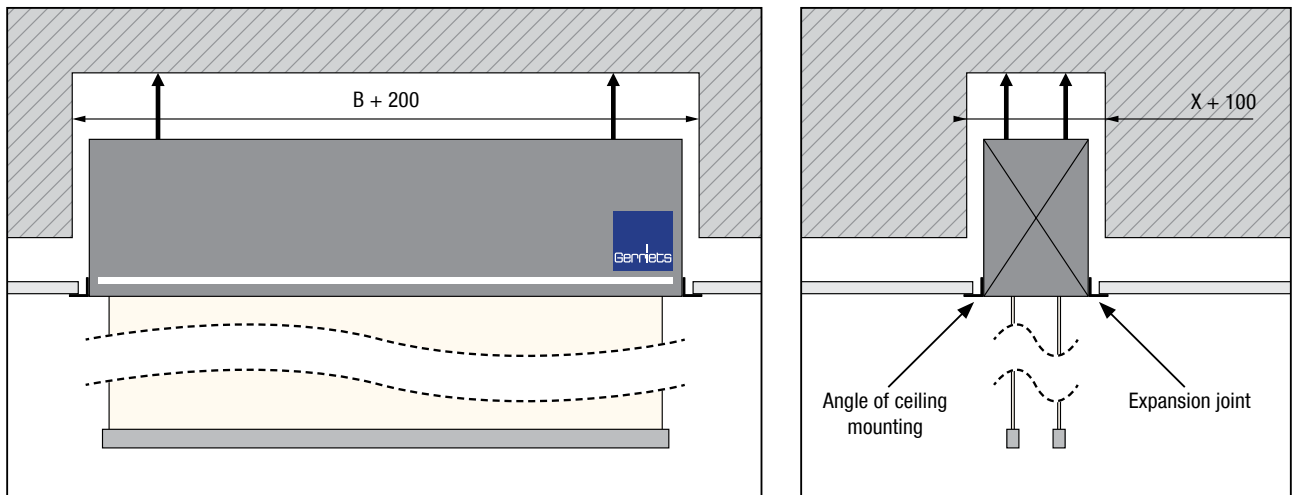
**DRIVE**  
VOLKSWAGEN GROUP FORUM



Badan Nasional Penanggulangan Bencana  
Kantor Pusat  
Jl. Sisinga No. 10  
Jakarta Barat 10110



Schematic Representation of the System



Integration in Suspended Ceiling

All dimensions in mm

[ACOUSTIC SYSTEMS]

## **G-SORBER**

### **Acoustic Roller Banner!**

The G-SORBER system is the latest product in our line of variable acoustics.

Reverberation time can be adjusted between different music styles such as chamber music, choir, electro-beats or meetings and conferences.

With our G-SORBER system we can realise a perfect sound experience.

[ACOUSTIC SYSTEMS]

**G-SORBER – Acoustic absorption as measured in reverberation chamber**

**Sound absorption**

- Measured in a reverberation room at the Center of Construction Physics / Institute of University of Technology in Stuttgart.
- Determination of absorption coefficient  $\alpha$  according to the standard DIN EN ISO 354.
- Measurement in different test setups:
  - varying the distance to the wall from the rear layer
  - varying the distance between layers
  - enclosed on both ends.

**Application A & B**

- Distance from wall: A = 100 mm (4") / B = 200 mm (8").
- Distance of layers: 145 mm (6").
- Enclosed: no.

Application A:

Acoustic absorption value:  $\alpha_w = 0.80$ .

Acoustic absorption class: B.

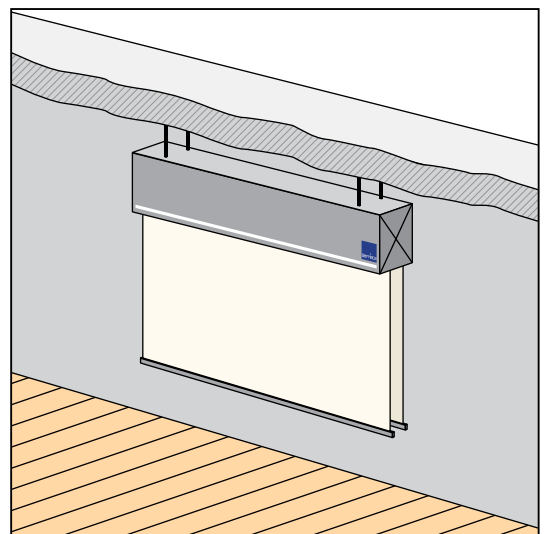
Valuation according to ASTM 423: NRC = 0.85, SAA = 0.82.

Application B:

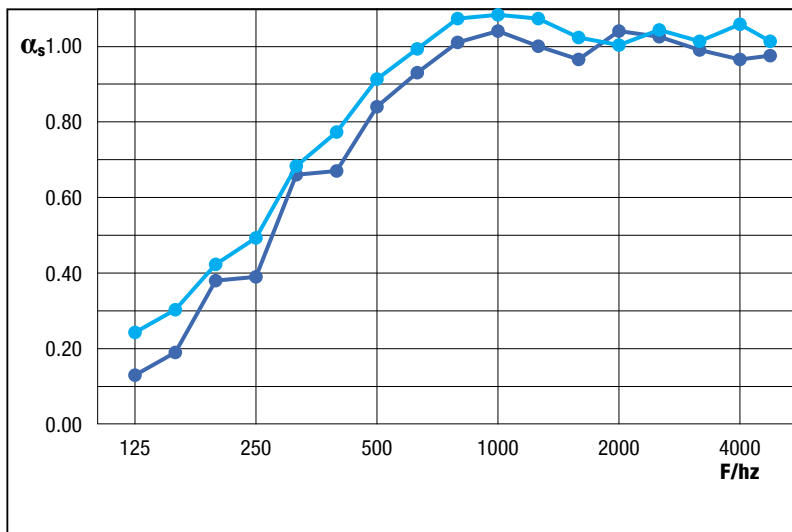
Acoustic absorption value:  $\alpha_w = 0.85$ .

Acoustic absorption class: B.

Valuation according to ASTM 423: NRC = 0.90, SAA = 0.88.

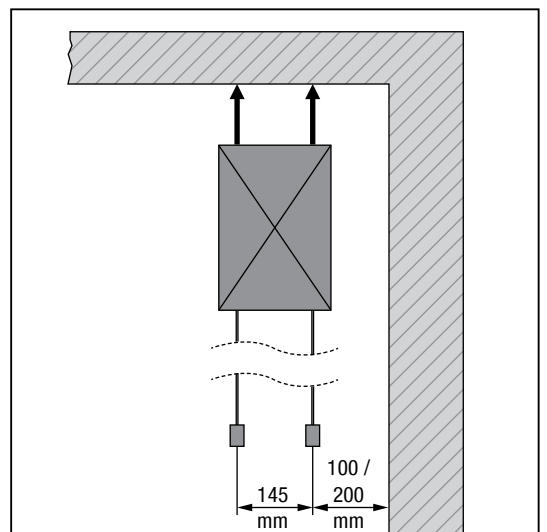


Application A & B: Front View



Acoustic absorption value =  $\alpha_w$

- Application A
- Application B



Application A & B: Side View



# [ACOUSTIC SYSTEMS]

## Application C & D

- Distance from wall: C = 100 mm (4") / D = 200 mm (8").
- Distance between layers: 145 mm (6").
- Enclosed: yes.

### Application C:

Acoustic absorption value:  $\alpha_w = 0.90$ .

Acoustic absorption class: A.

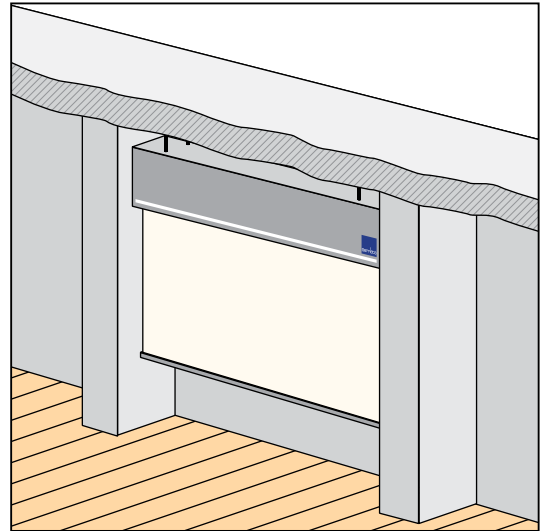
Valuation according to ASTM 423: NRC = 0.85, SAA = 0.83.

### Application D:

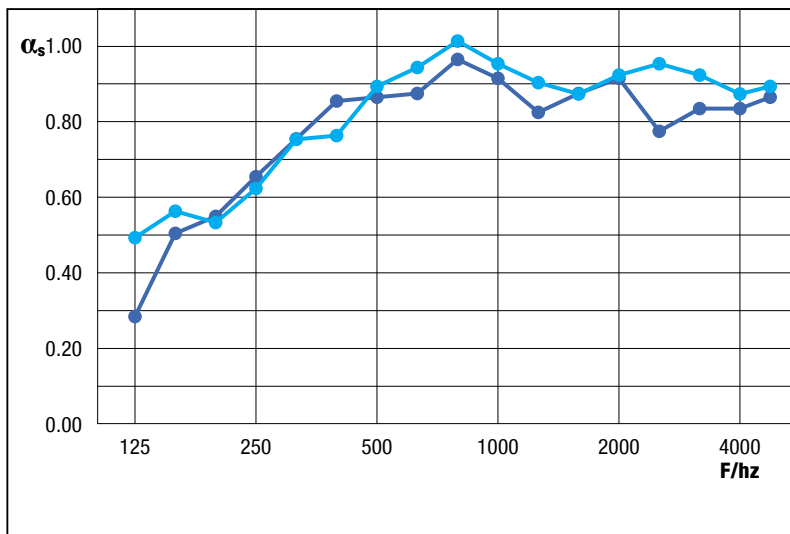
Acoustic absorption value:  $\alpha_w = 0.90$ .

Acoustic absorption class: A.

Valuation according to ASTM 423: NRC = 0.85, SAA = 0.84.

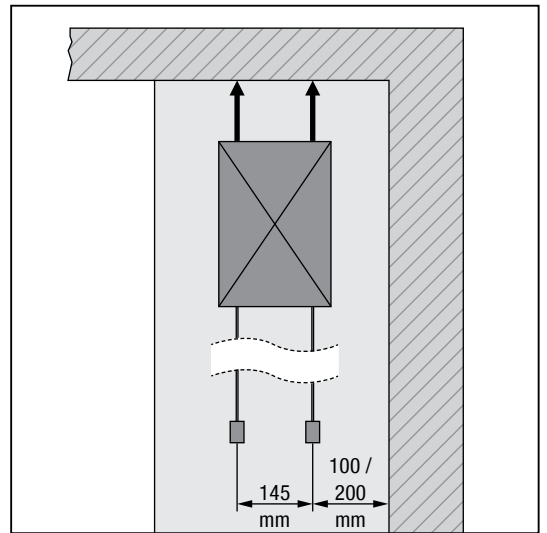


Application C & D: Front View



Acoustic absorption value =  $\alpha_w$

- Application C
- Application D



Application C & D: Side View

## St. Georgen Kirche Wismar

### Description

- Allow for the multipurpose use of the venue without spoiling the aesthetic appearance of St Georgen Church.
- Manufacture and installation of six acoustic roller banner systems G-SORBER with banners made from the acoustic fabric ABSORBER CS in order to control the reverberation times in the church.
- Dimensions: 4 roller banners each 4.5 m (14'8") wide x 8.5 m (27'9") high and 2 roller banners each 8.8 m (28'9") wide x 8.5 m (27'9") high.

### Client

City of Wismar

### Location

Wismar / Germany







# Elbphilharmonie Hamburg

## Description

- Small Hall: Manufacture and installation of 52 G-SORBER acoustic roller banner systems with the banners made from the acoustic fabric ABSORBER CS. The banners are lowered from the ceiling and can be driven completely into the ceiling when not in use with the largest being up to 1.70 m (5'6") wide and 6.50 m (21'3") high.
- Great Hall: Manufacture and installation of a brand new acoustic technology consisting of 81 acoustic roller banners made 3.00 m (9'8") wide and 2.6 m (8'5") high from a highly absorbent and extremely hard-wearing textile. These banners are not lowered from the ceiling like the G-SORBER, but rise out of the parquet floor and can be completely retracted into the floor, creating a smooth, flush surface when not in use.

## General contractor

HOCHTIEF Aktiengesellschaft

## Architect

Herzog & de Meuron

## Client

Elbphilharmonie Hamburg

## Location

Hamburg / Germany





Project video







# **[STAGE PLATFORMS, TRUSS SYSTEMS AND ACCESSORIES]**

In addition to the products already presented, we also offer a wide range of stage platforms, truss and technical accessories.

Whether it is PRACTICUS, PRACTICUS LIGHT, UNISTAGE or DINO - for every application we have the right staging for you.

Looking for professional trusses for your event? We offer a wide range of Pipe, Ladder Truss, Triangular Truss and Box Truss.

Gerriets supplies a wide array of technical accessories ranging from various attachments, curtain tape, tie lines, shackles, carabiners, couplers and hook clamps to brackets, ground tensioning strips, bottom weight pipes, and sand bags.



# [COMPANY]

Gerriets is an expanding company with subsidiaries, distributors and sales partners in more than 20 countries. Since its founding in 1946, Gerriets has developed into a global leader in the fields of stage technology, large scale events and acoustic projects. Today, this third generation family business continues to respond to the demands of the market.

More than 70 years after our founding, Gerriets continues to be on the forefront of innovation for many kinds of technical projects, pushing us to constantly expand and evolve our product line for the future.

Gerriets Technical Solutions – innovative solutions, guaranteed safety, proven reliability!







---

# G E R R I E T S W O R L D W I D E

---

Gerriets GmbH  
gerriets.com

Gerriets Belgique  
gerriets.be

Gerriets Romania  
gerriets.ro

Gerriets S. A. R. L.  
gerriets.fr

Gerriets Nederland  
gerriets.nl

Gerriets Bulgaria  
gerriets.bg

Gerriets International Inc.  
gerriets.us

Gerriets Italia  
gerriets.it

Gerriets Korea Co. Ltd.  
gerriets.com/kr

Gerriets Great Britain Ltd.  
gerriets.co.uk

Gerriets Hellas  
gerriets.gr

Gerriets South Africa  
gerriets.co.za

Gerriets Austria CEE GmbH  
gerriets.at

Gerriets Turkey  
gerriets.com/tr

Gerriets Brasil  
gerriets.com/br

Gerriets Sp. z o.o.  
gerriets.pl

Gerriets Slovenija  
gerriets.si

Gerriets Czech Republic /  
Slovakia  
gerriets.cz

Gerriets España S. L.  
gerriets.es

Gerriets Hungária  
gerriets.hu

Gerriets Taiwan  
gerriets.com

